

## BRITISH MAIN BATTLE TANK

# CHALLENGER 2 TES

イギリスの主力戦車 チャレンジャー-2 TES 英国主战坦克 挑战者 2 TES

### ASSEMBLY ICONS



OPTIONAL  
选择



CEMENT  
膠水



DO NOT CEMENT  
不使用膠水



INSTANT CEMENT  
瞬間接著劑



BEND  
彎折



MAKE 2  
製作2組



OPEN HOLE  
鑽孔



REMOVE  
切除



BE CAREFUL  
注意



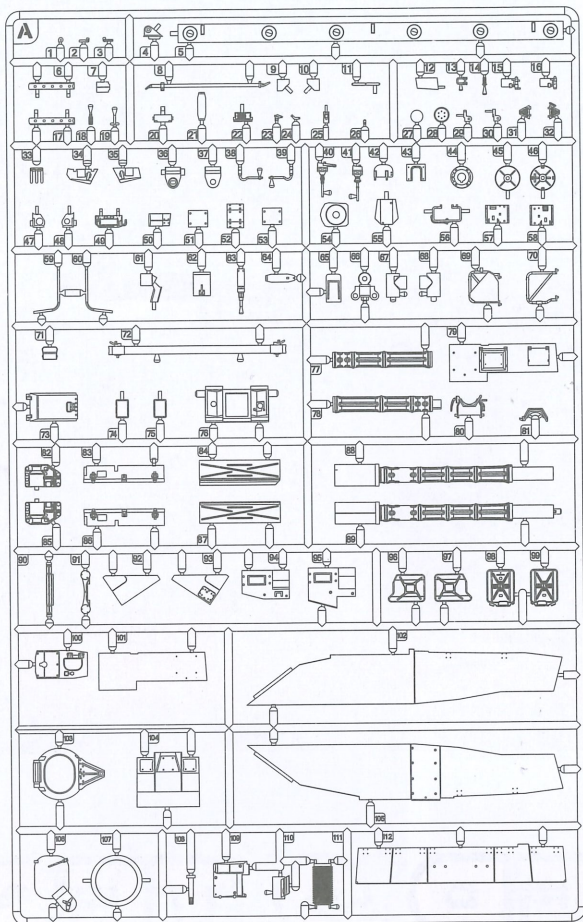
APPLY DECAL  
貼上水貼紙

### CAUTION!

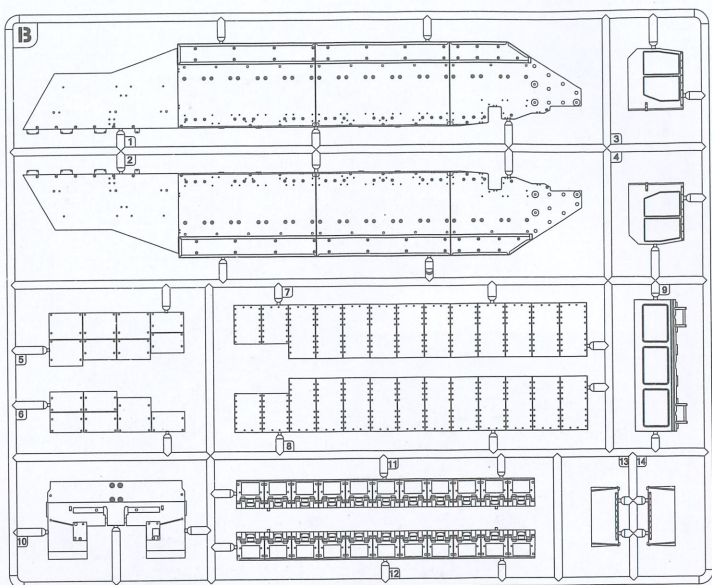
Read carefully and fully understand the instructions before commencing assembly.  
Supervising adult should also read the instructions if a child assembles the model.  
When you used glue or paint, do not use near a naked flame, and use in a well-ventilated room.  
When assembling this kit, tools including knives are used. Extra care should be taken to avoid personal injury.  
Read and follow the instructions supplied with paints and/ or cement. Use plastic cement and paints only.  
Keep out of reach of small children. Children must not be allowed to suck any part, or pull vinyl bag over the head.

在裝配前仔細閱讀說明並完全理解。小孩裝配時需成人看護且需仔細閱讀說明。  
使用膠水和油漆時，應遠離火源並打開窗戶保持空氣流通。  
製作時請格外注意工具刀和零件的鋒利尖銳部分，避免對身體造成傷害。  
在使用膠水和油漆前仔細閱讀注意事項，按照說明正確使用膠水和油漆。  
請將本品放在兒童接觸不到的地方，套件中的塑膠包裝袋會對兒童造成窒息的危險。

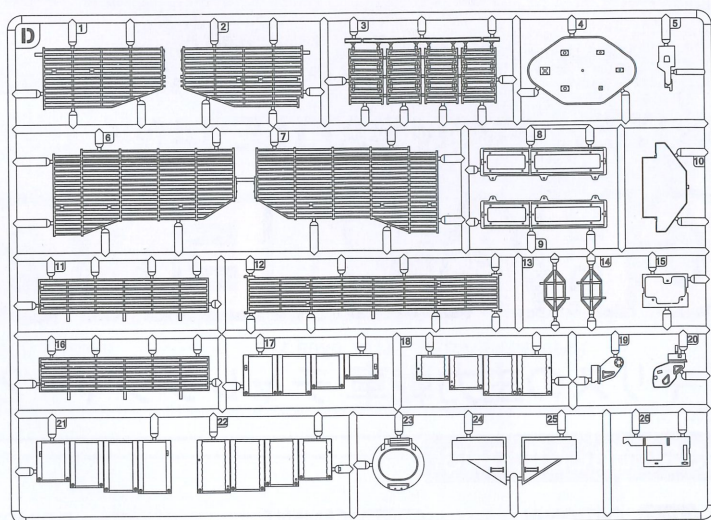
A x 1



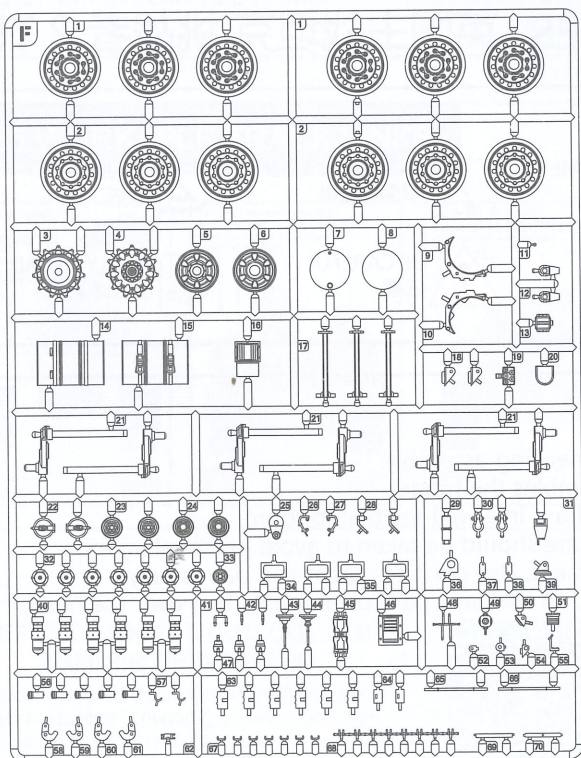
B x 1



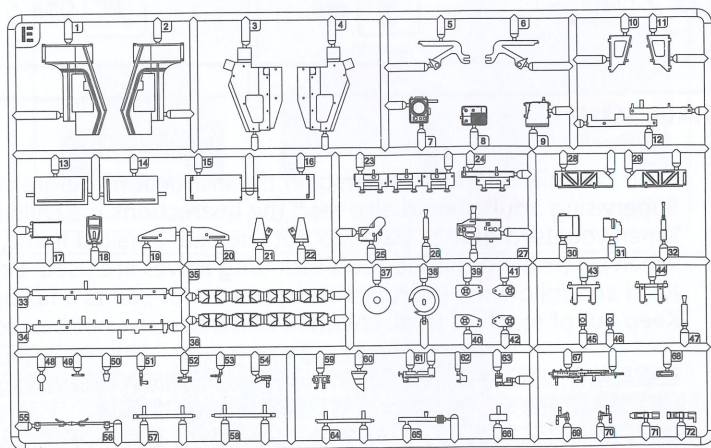
D x 1



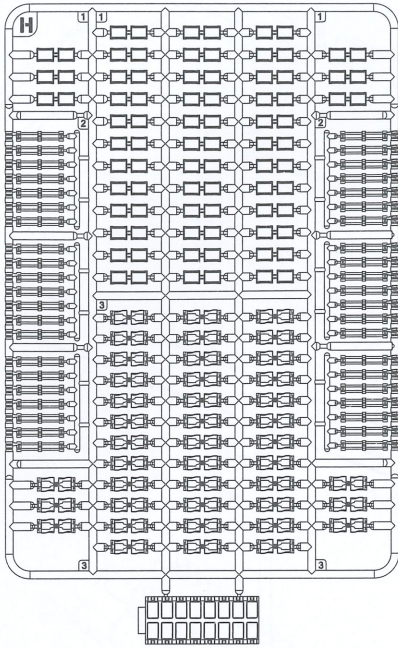
F x 2



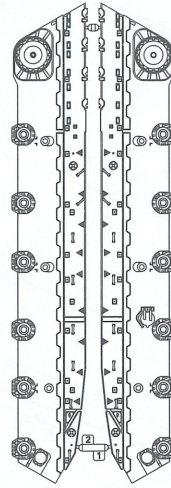
E x 1



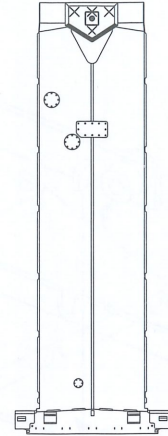
H x 4



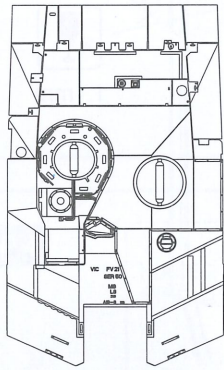
L x 1



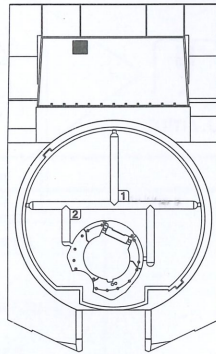
J x 1



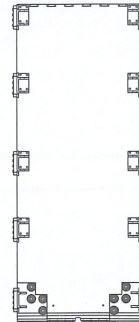
K x 1



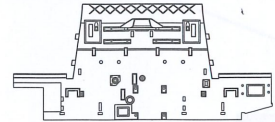
M x 1



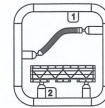
X x 1



R x 1



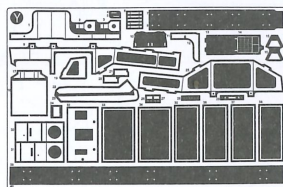
Rubber part  
橡胶件



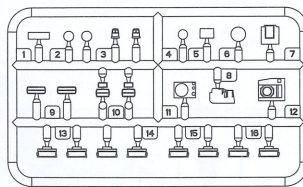
Poly Cap  
橡胶圈



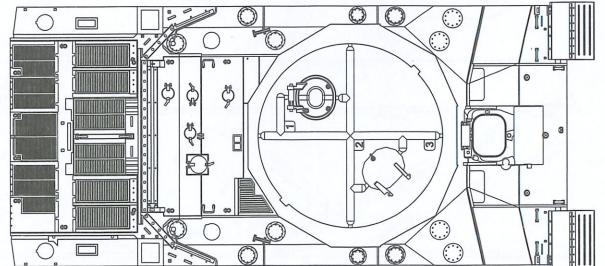
Y x 1



T x 1



G x 1



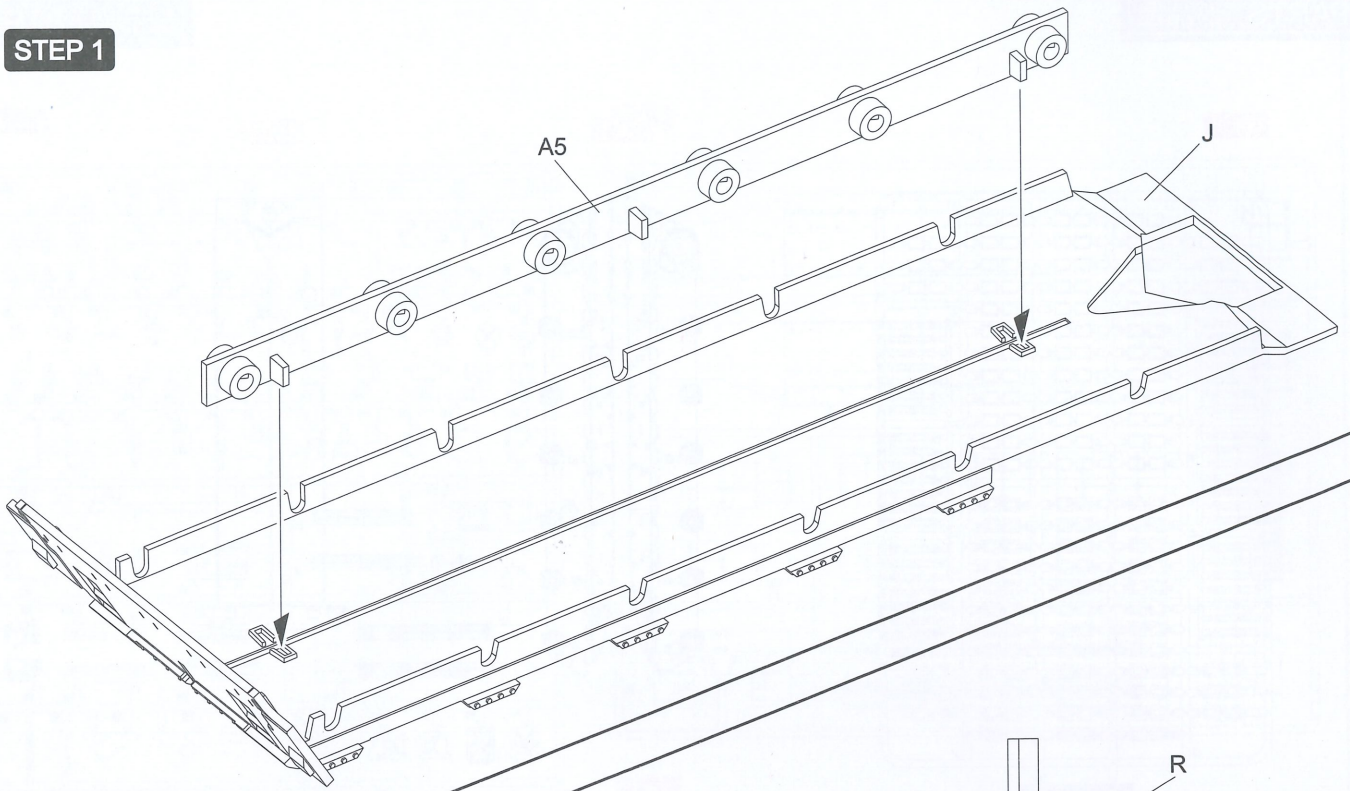
Wire x 1 230mm



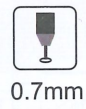
Decal x 1



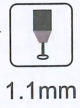
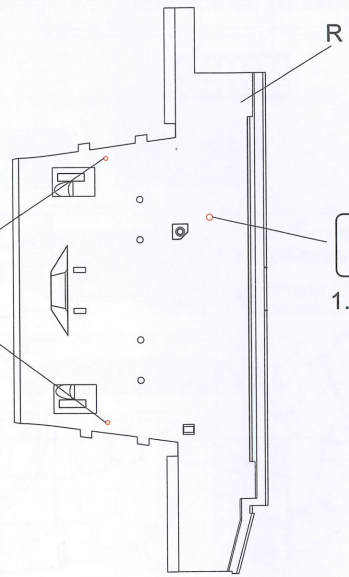
**STEP 1**



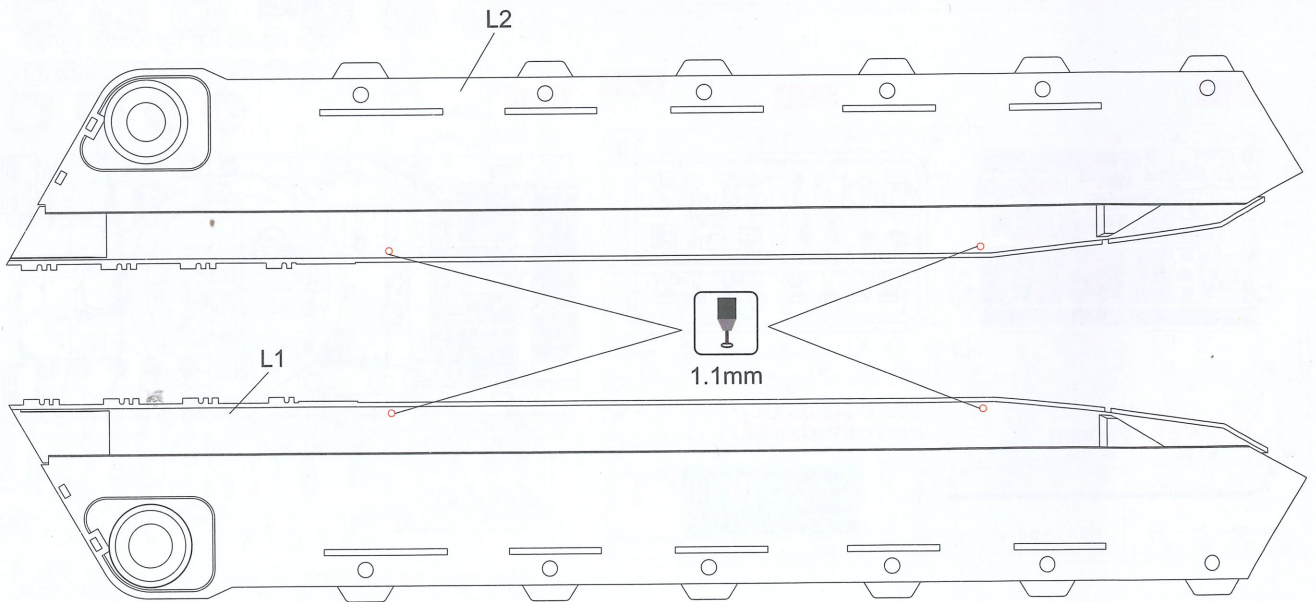
**STEP 2**



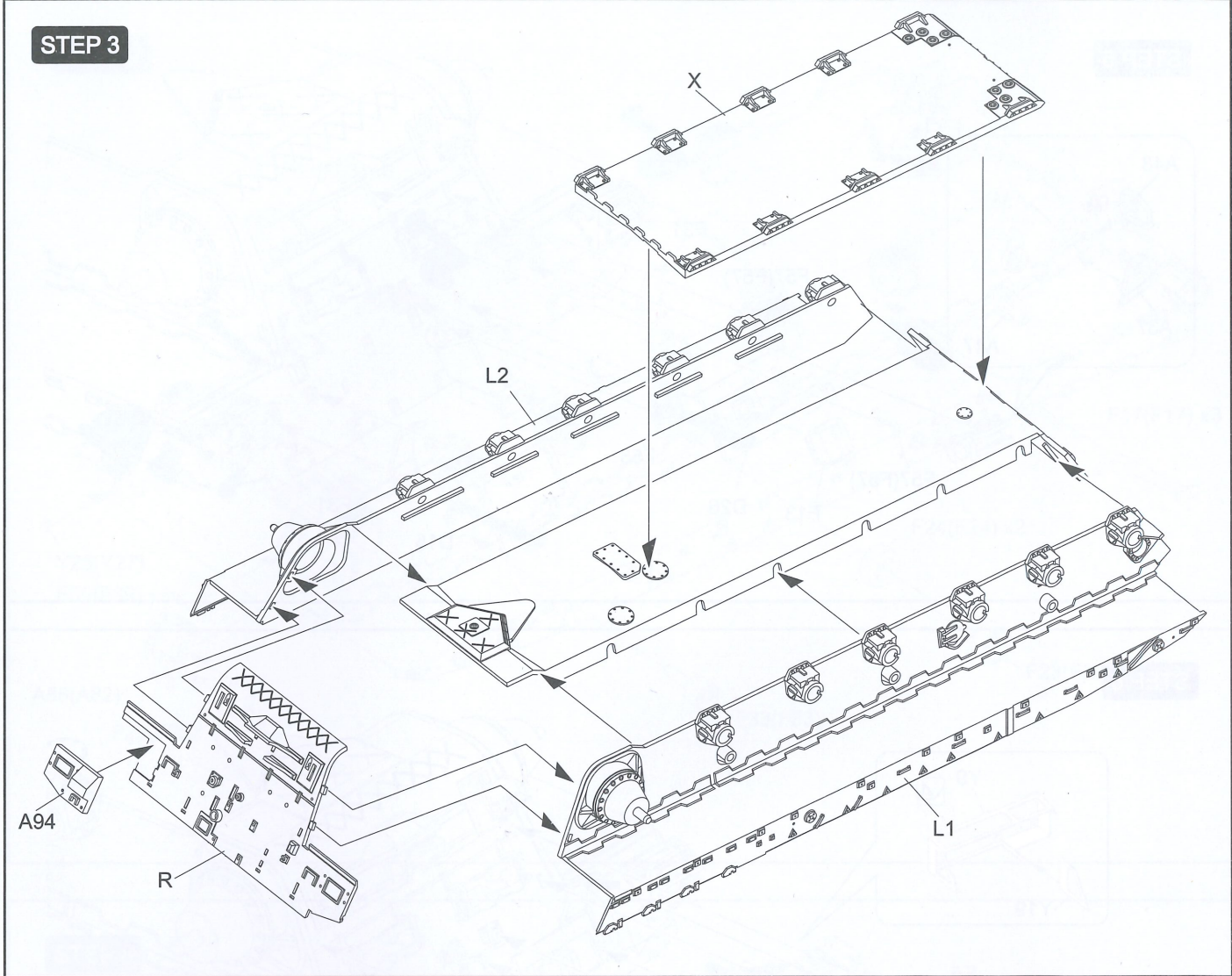
0.7mm



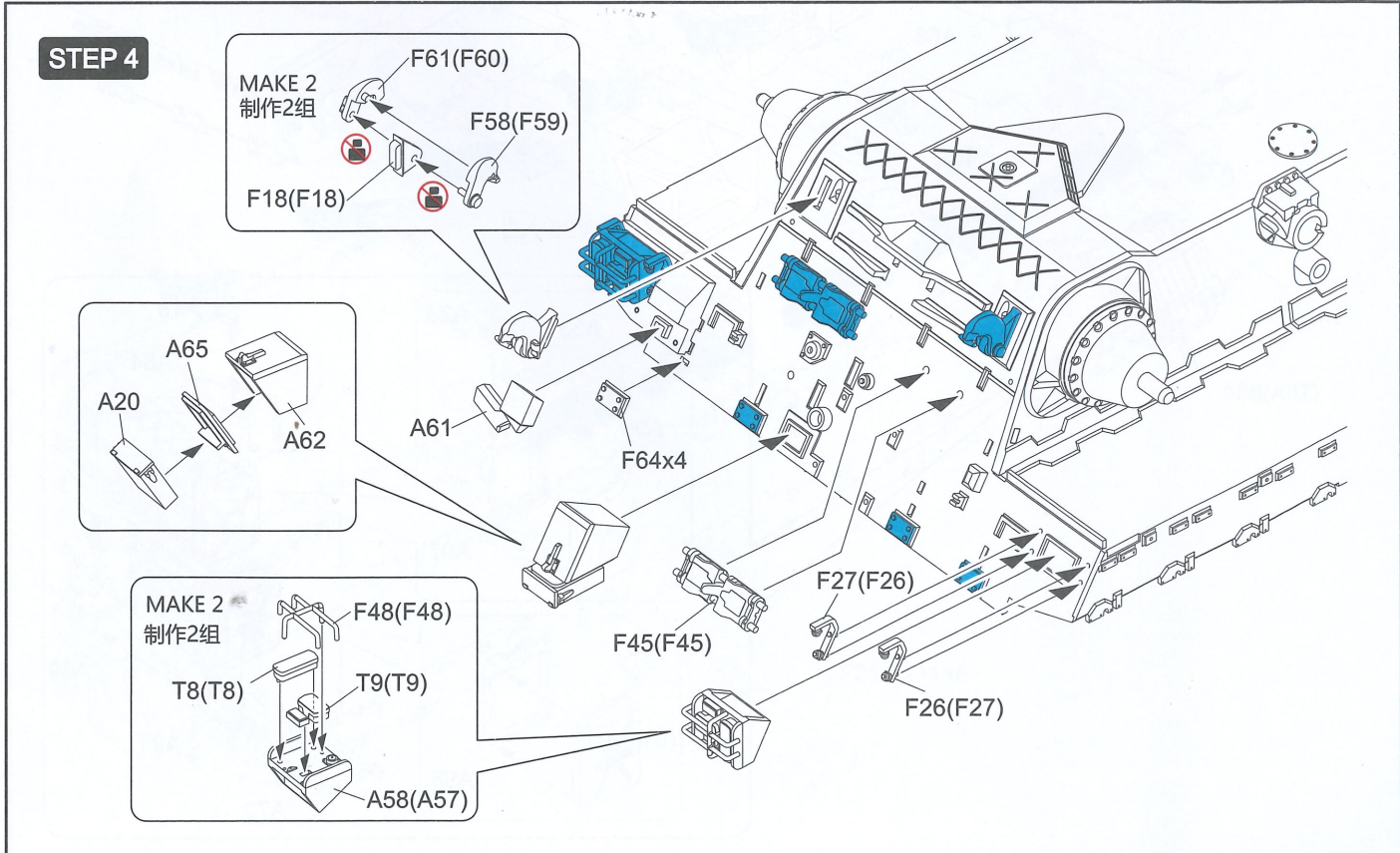
1.1mm



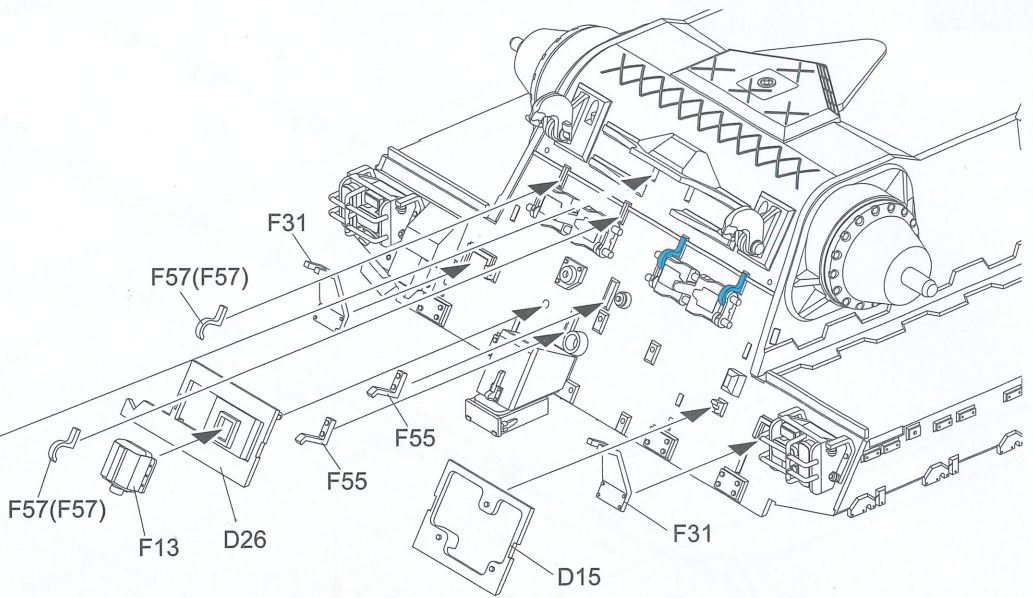
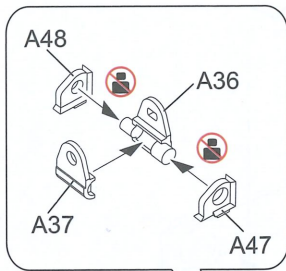
**STEP 3**



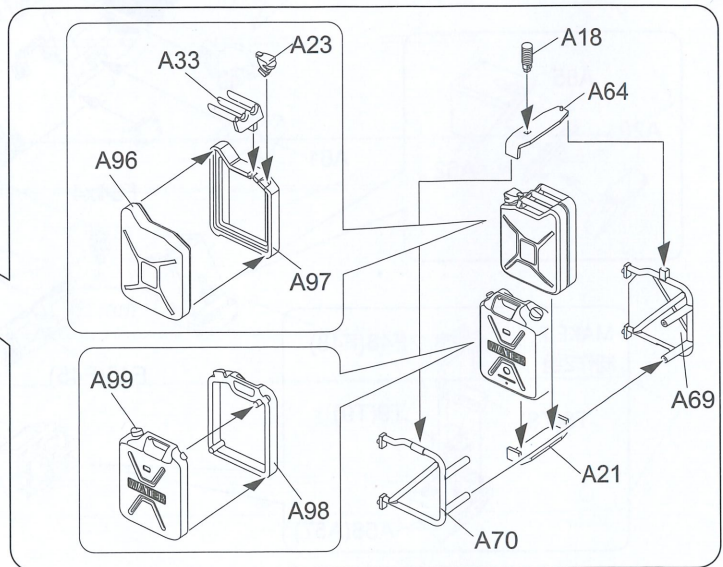
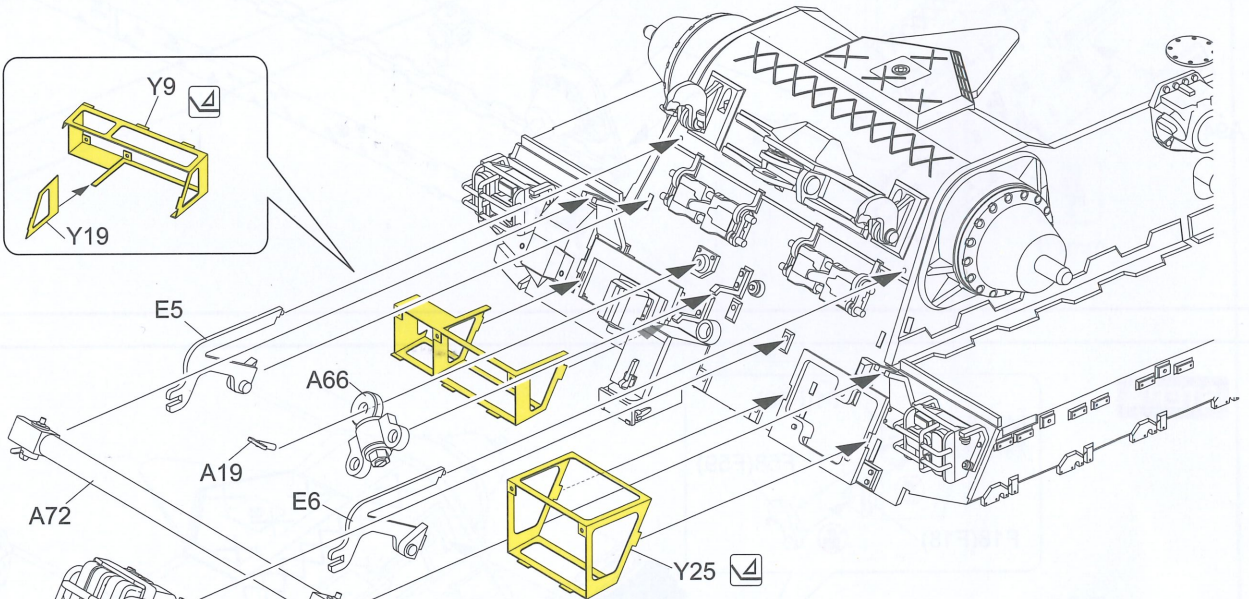
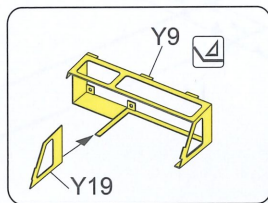
**STEP 4**



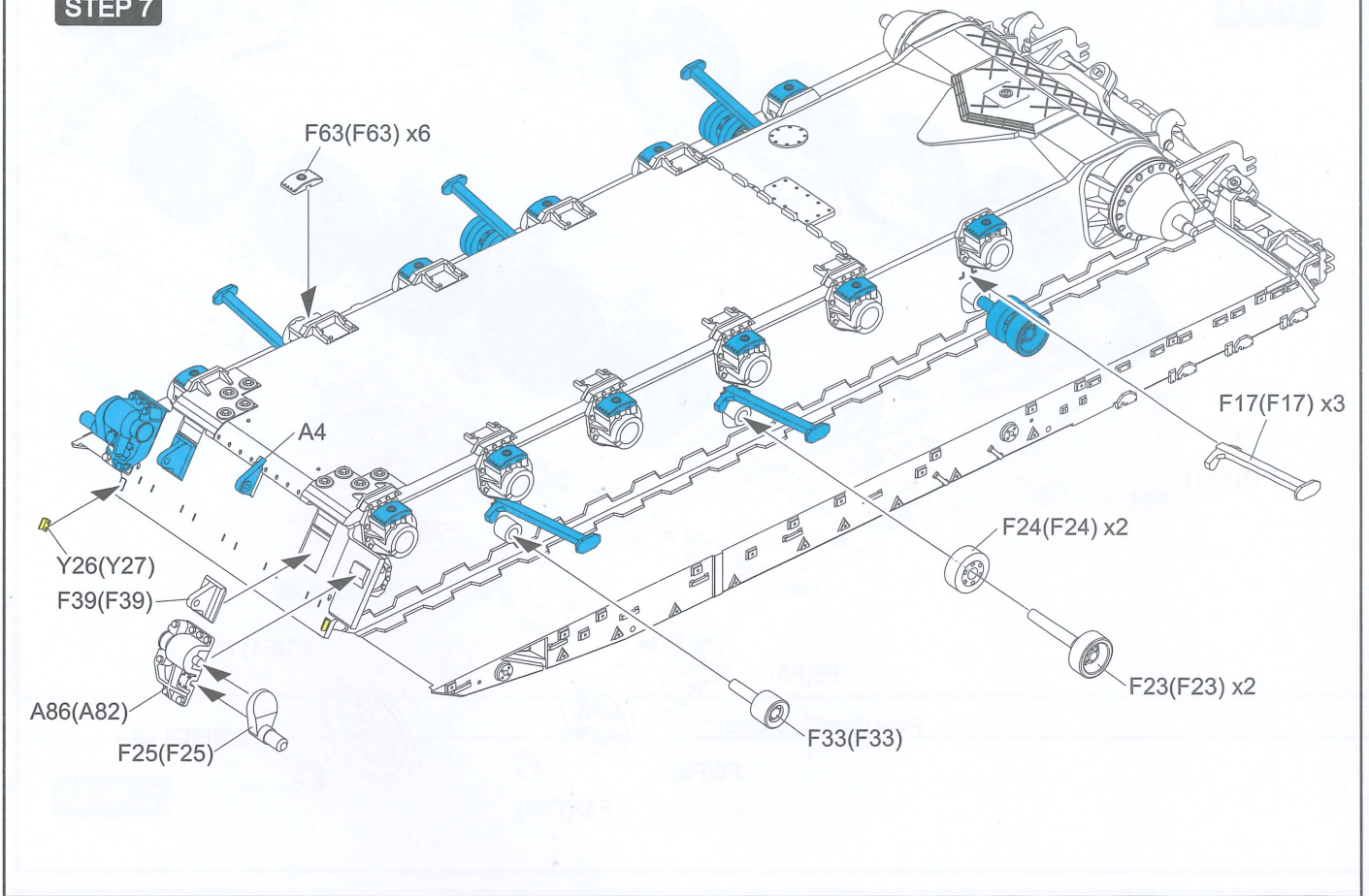
**STEP 5**



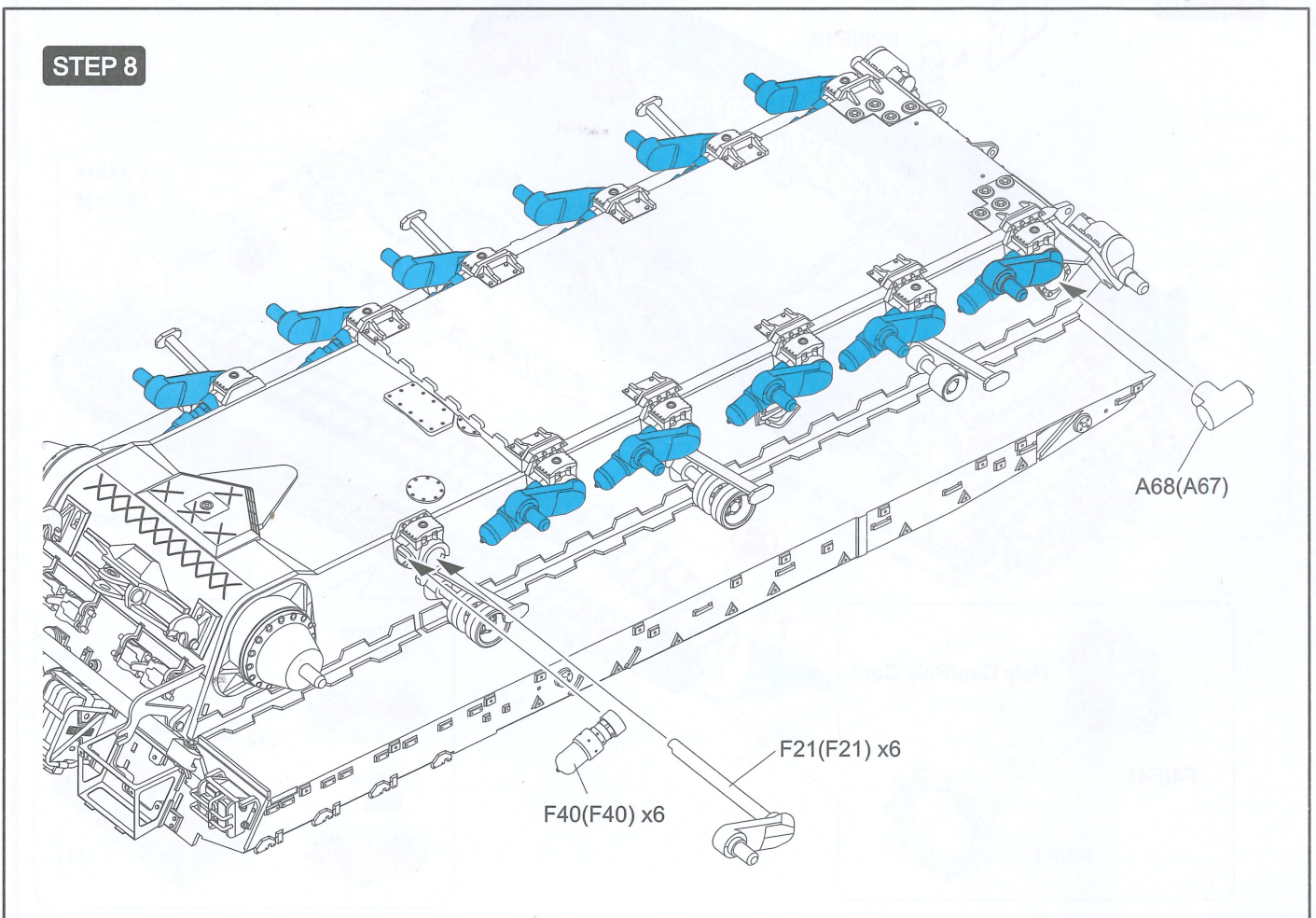
**STEP 6**



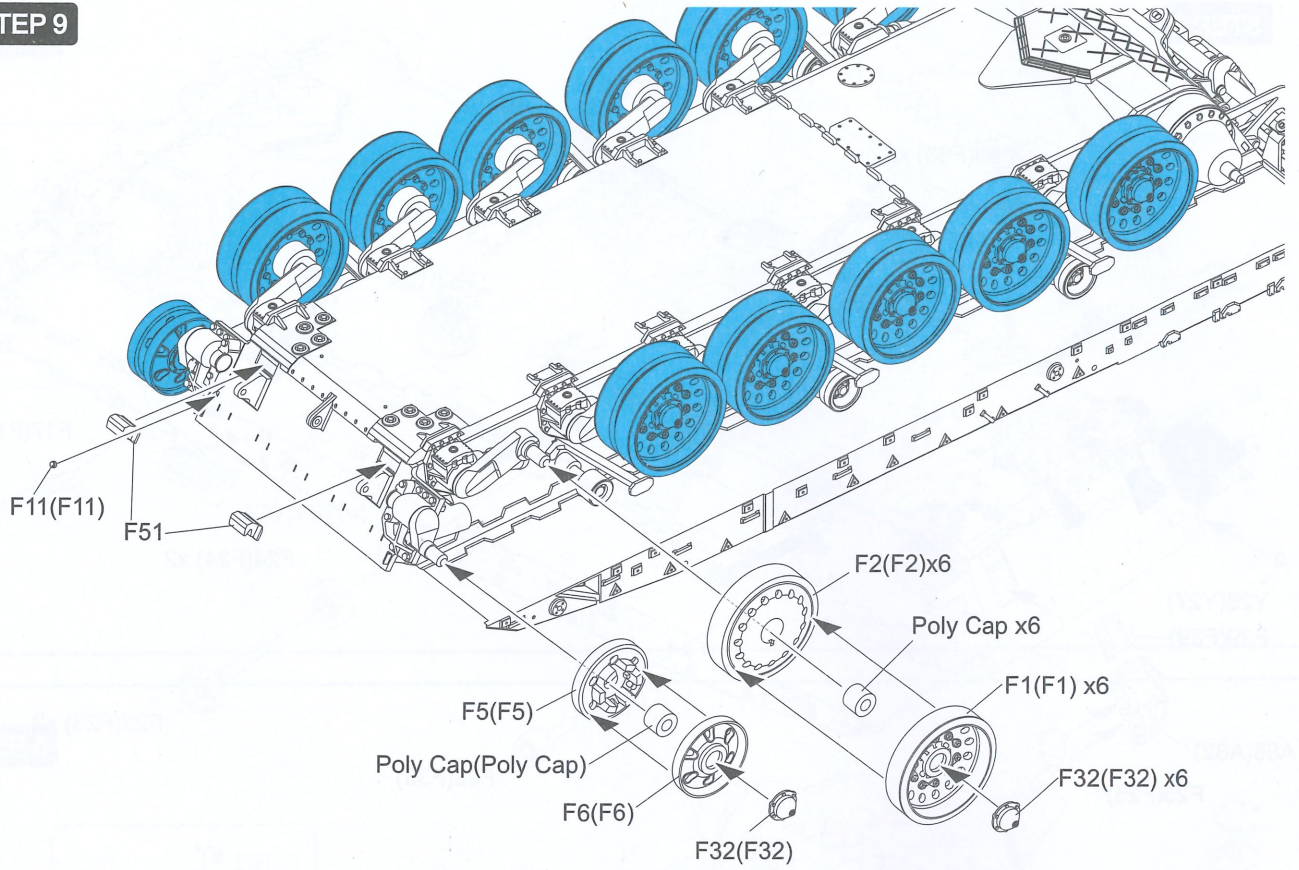
**STEP 7**



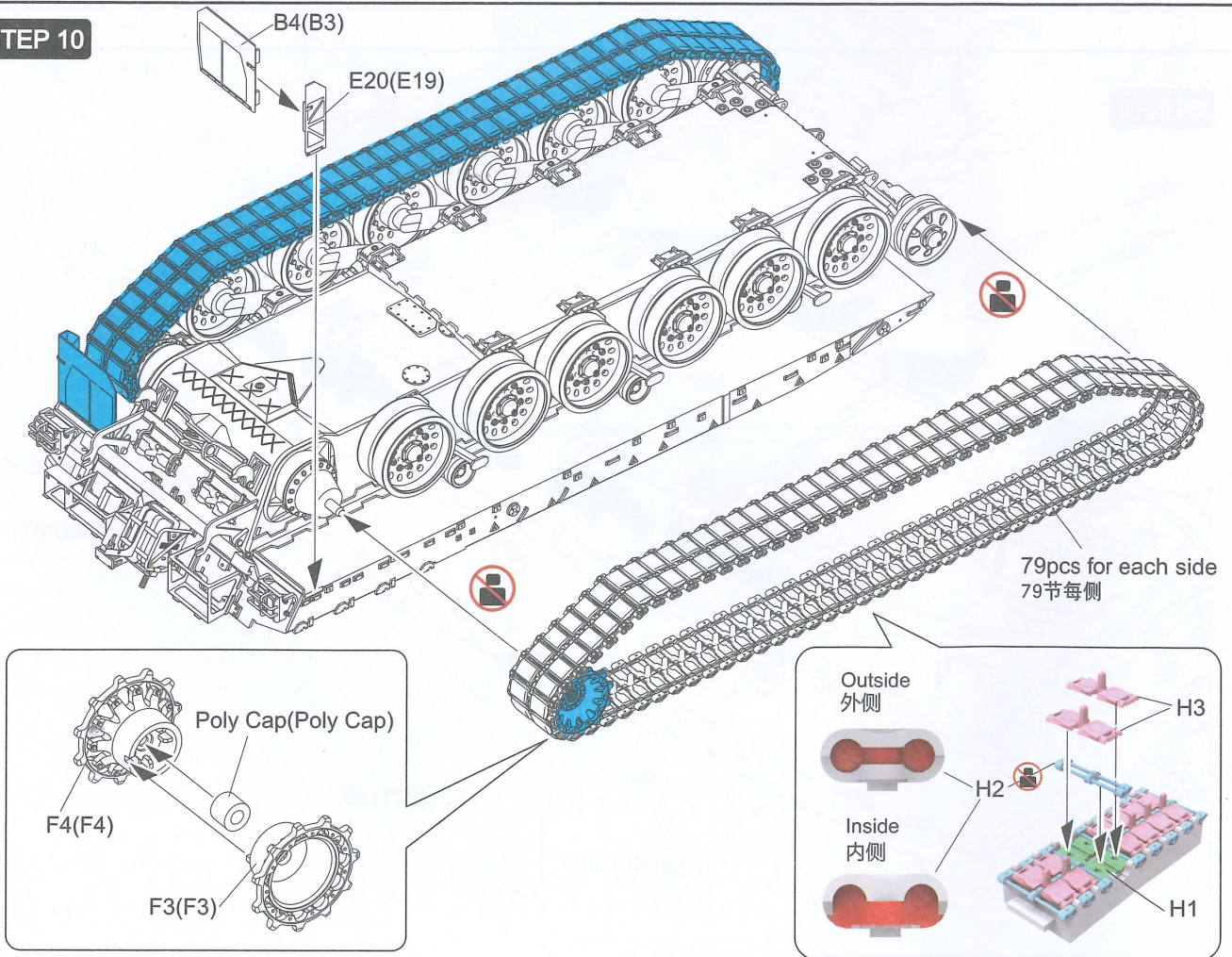
**STEP 8**



**STEP 9**

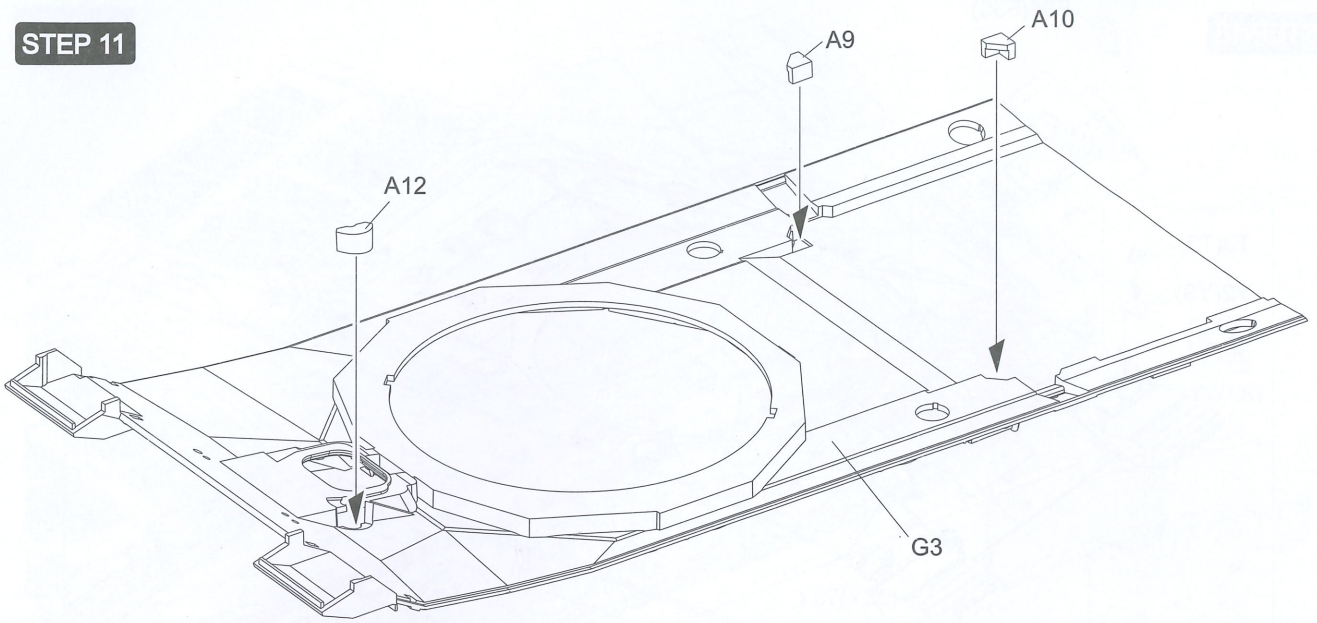


**STEP 10**

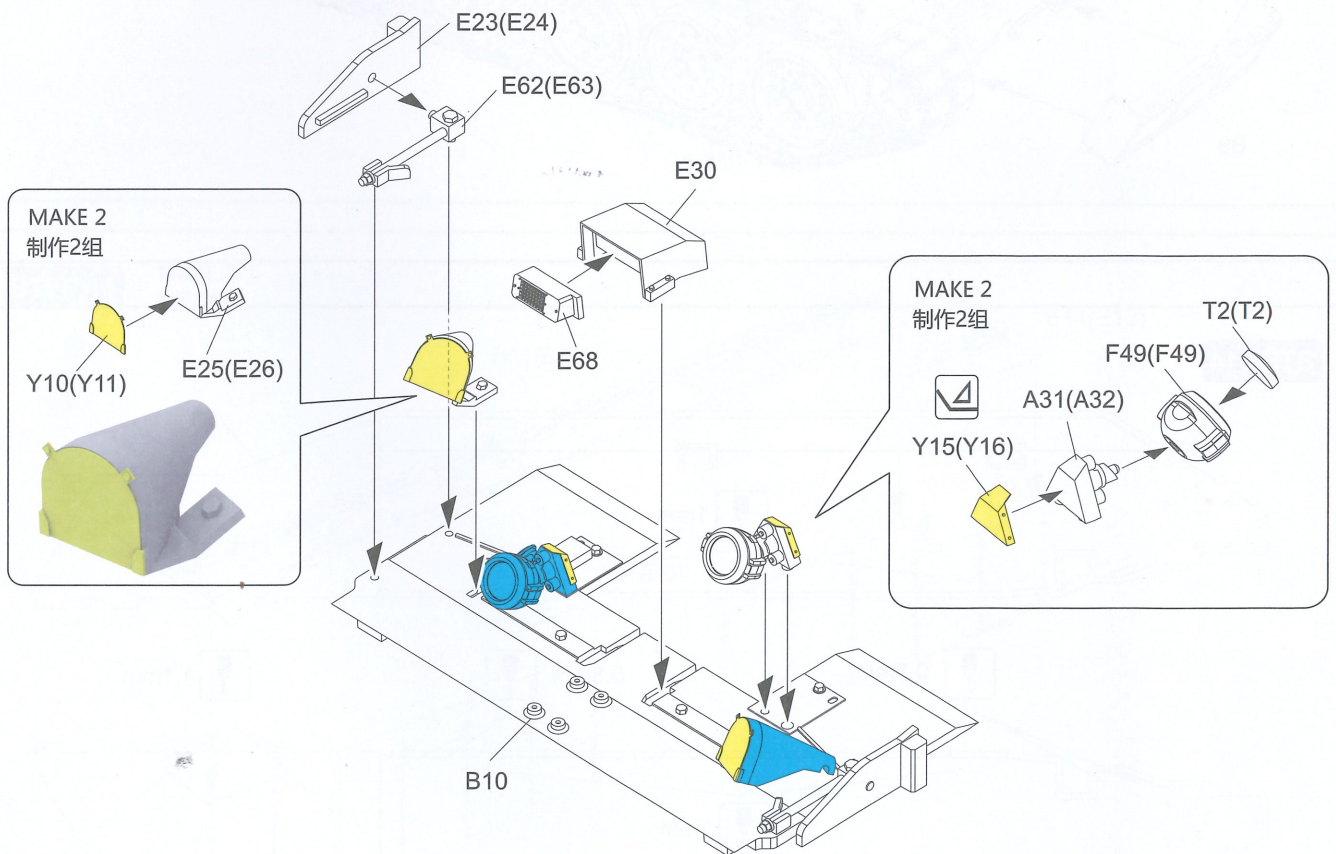




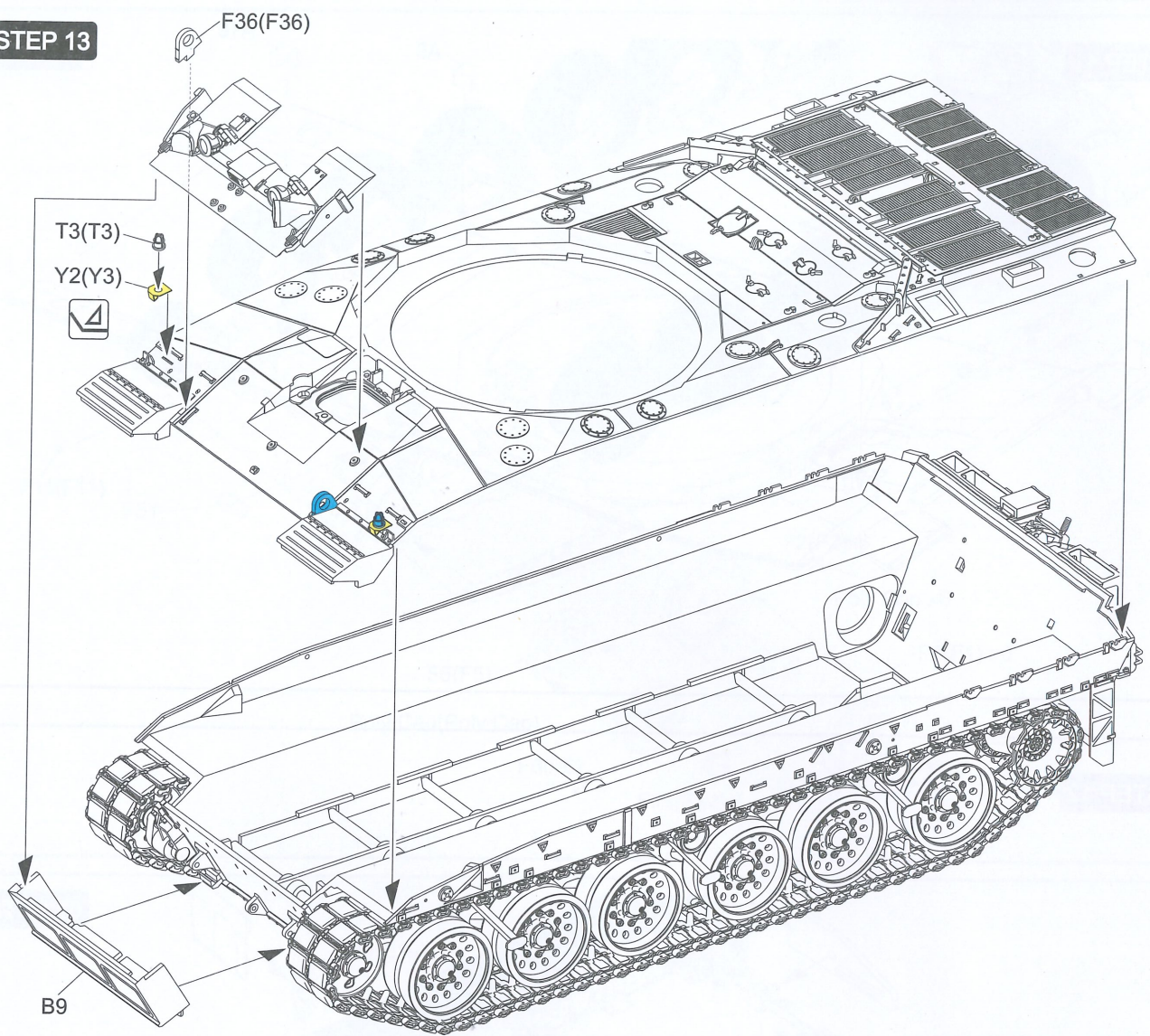
**STEP 11**



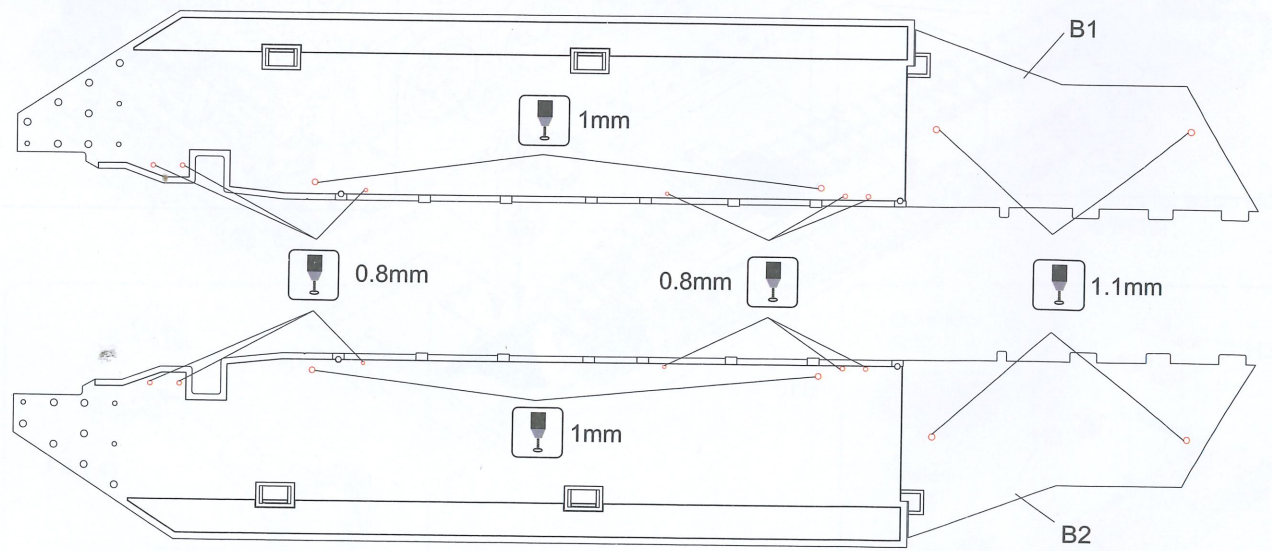
**STEP 12**



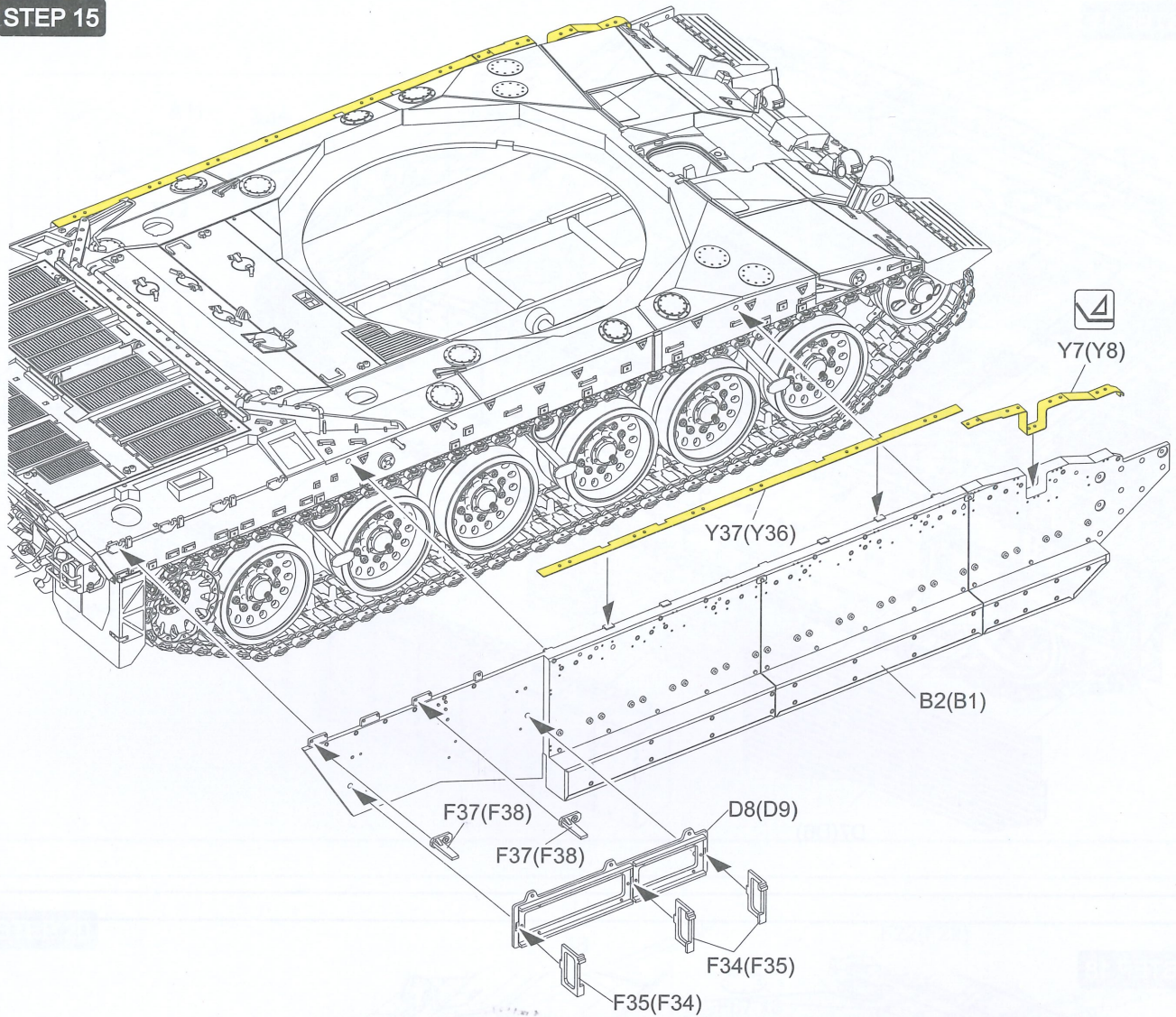
**STEP 13**



**STEP 14**

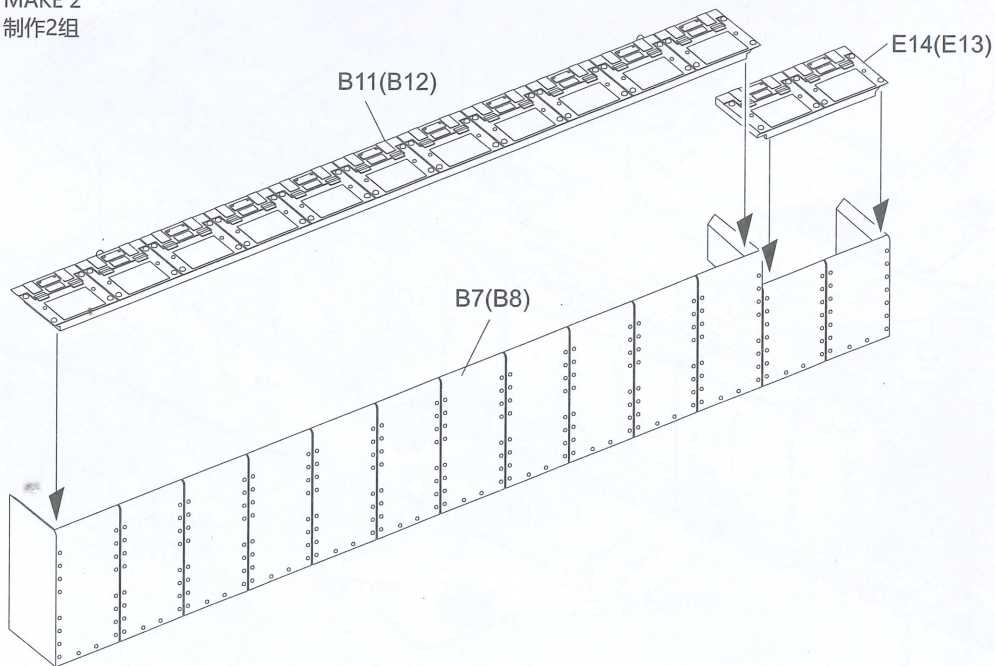


**STEP 15**

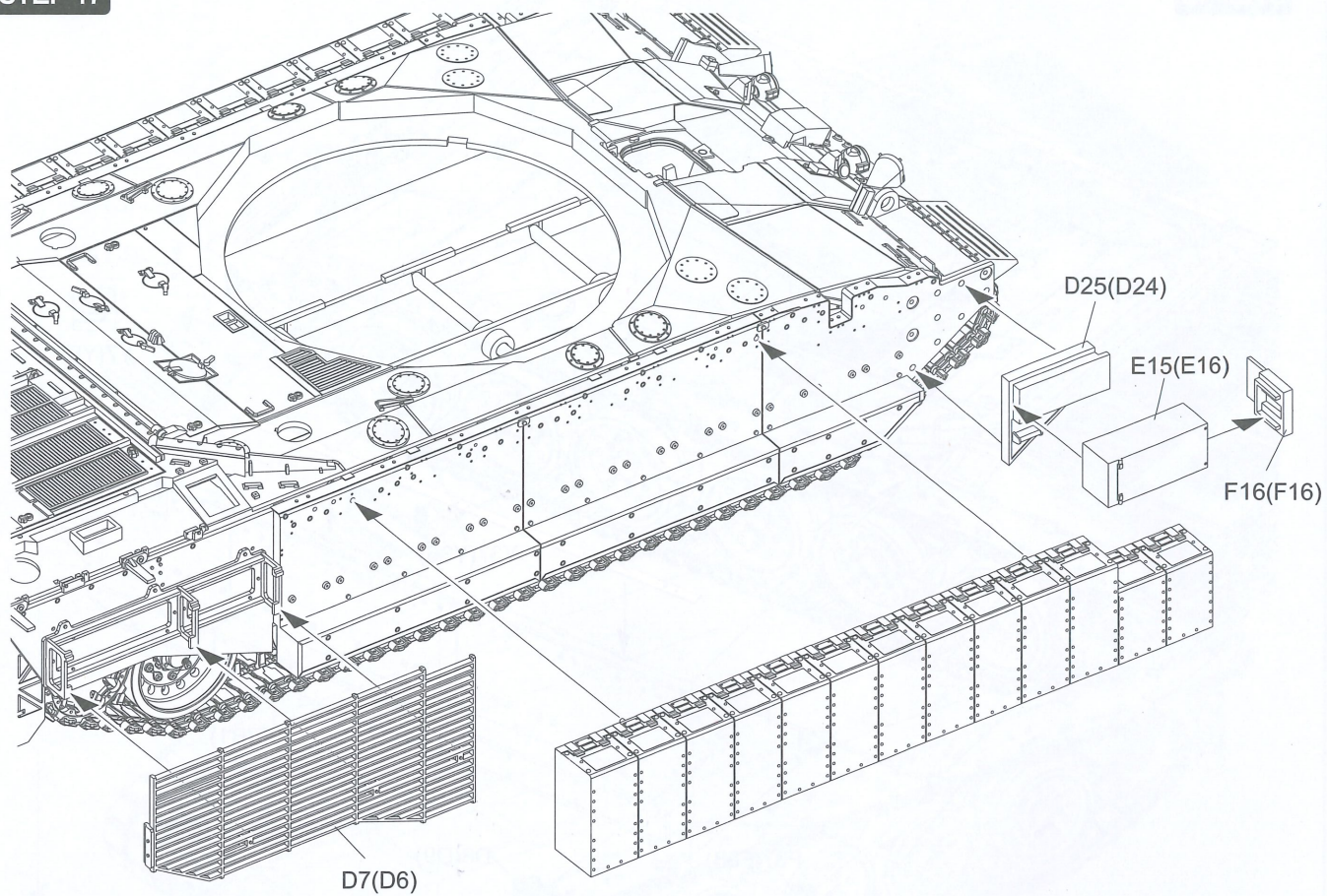


**STEP 16**

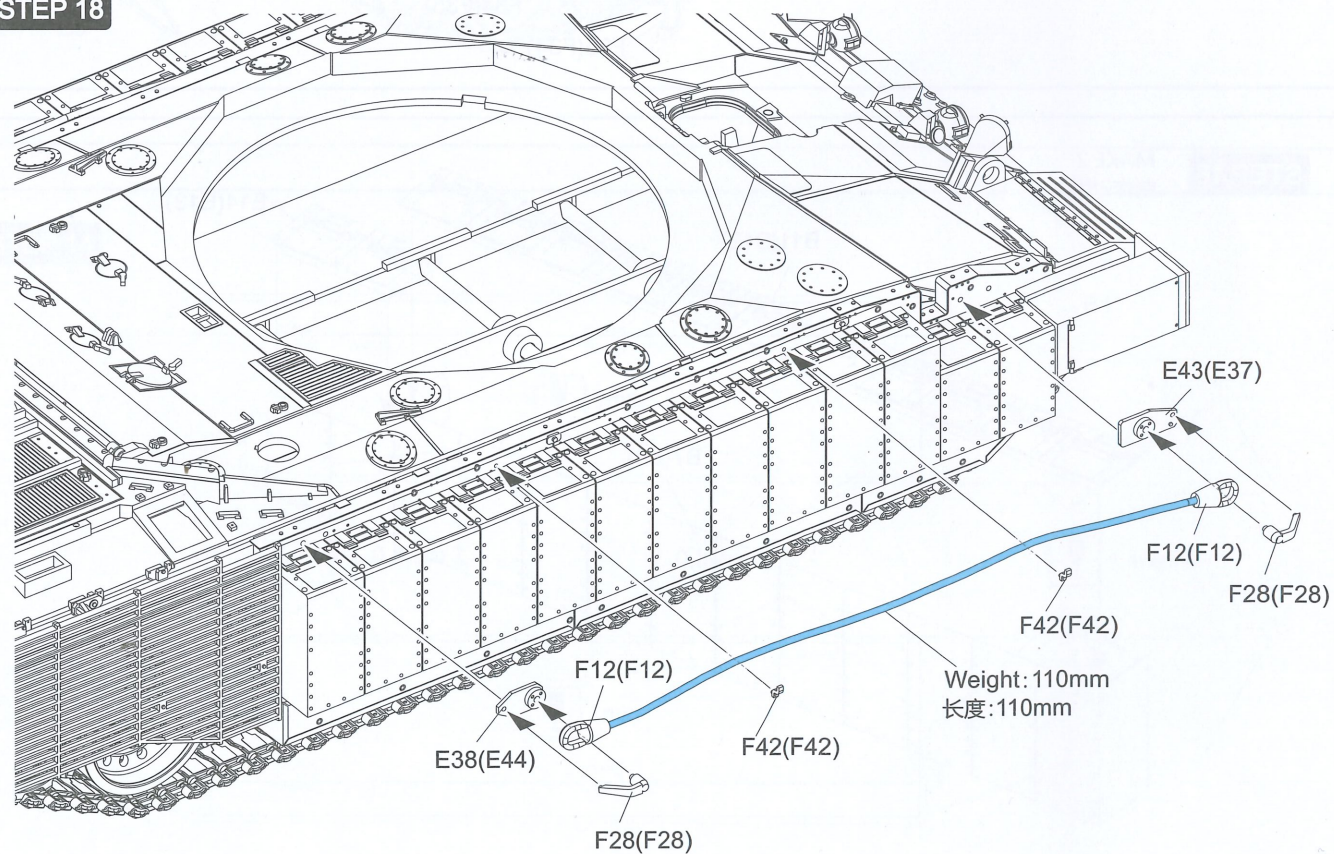
MAKE 2  
制作2组



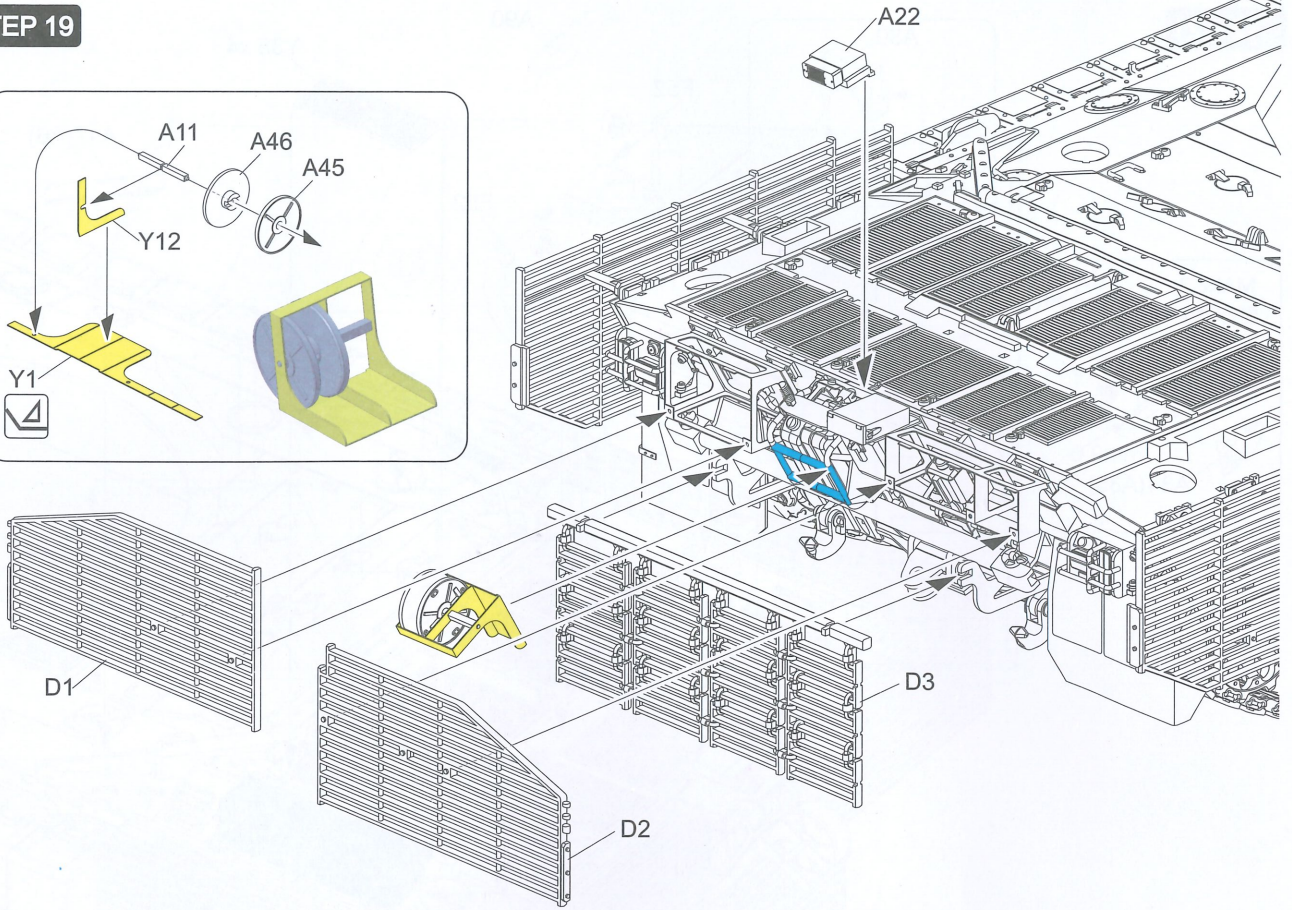
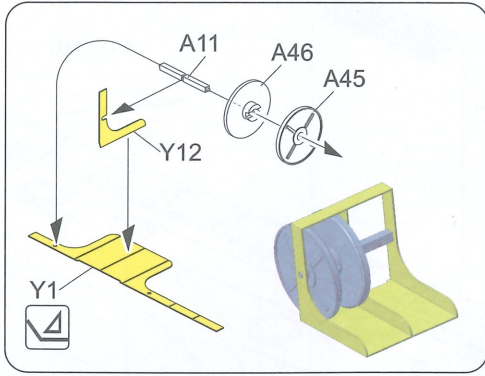
STEP 17



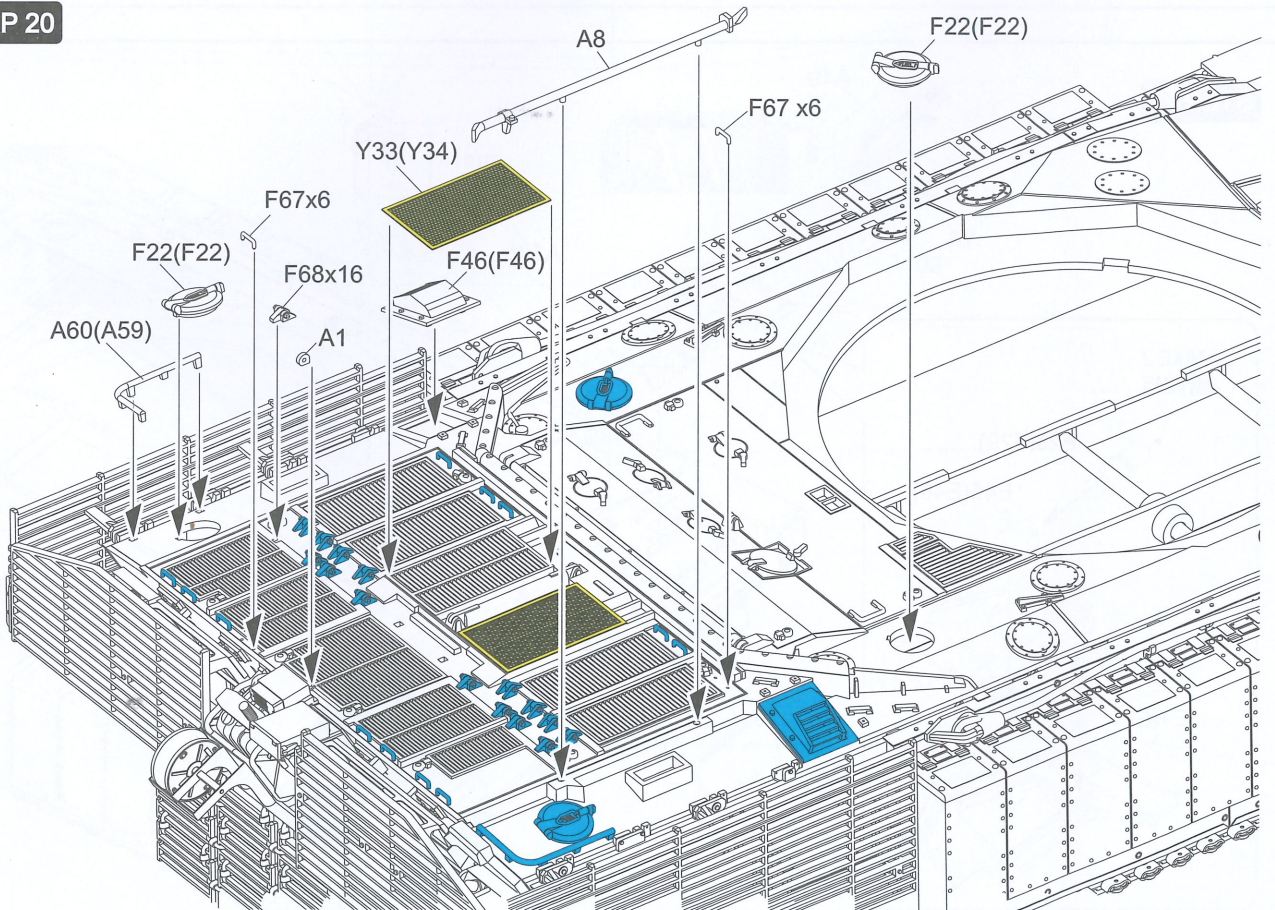
STEP 18



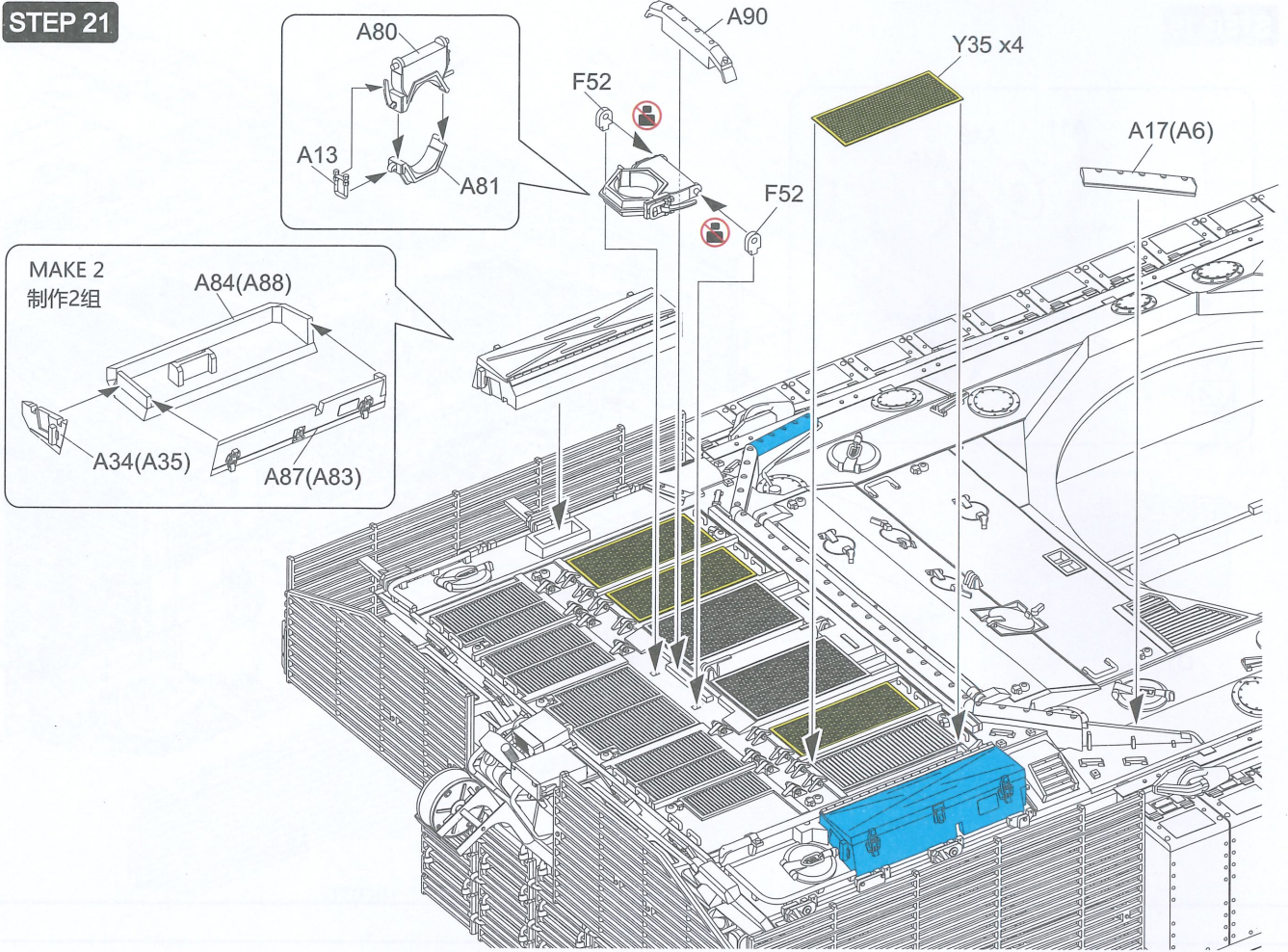
**STEP 19**



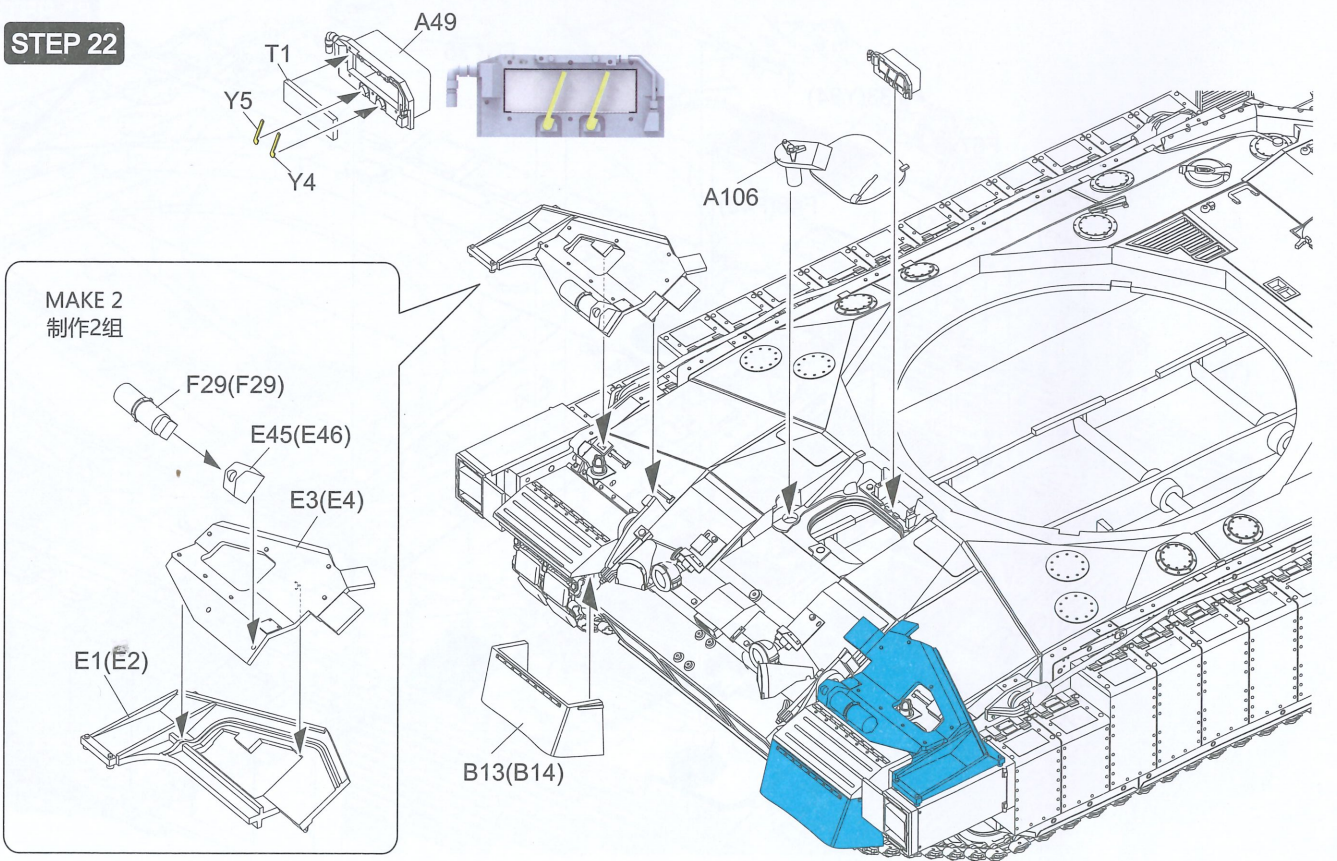
**STEP 20**



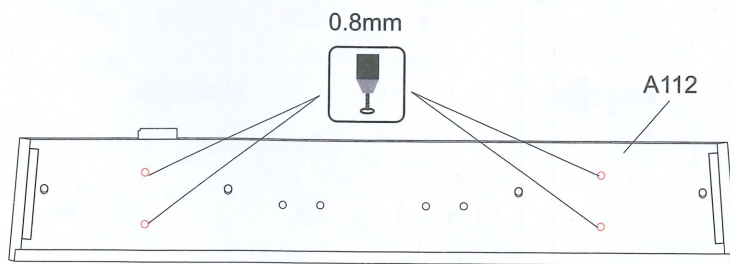
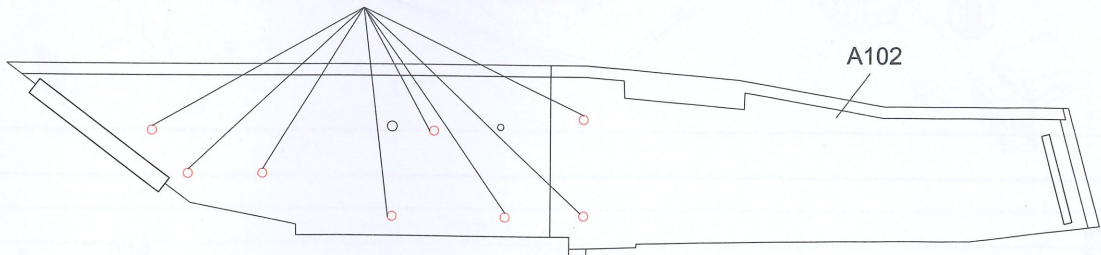
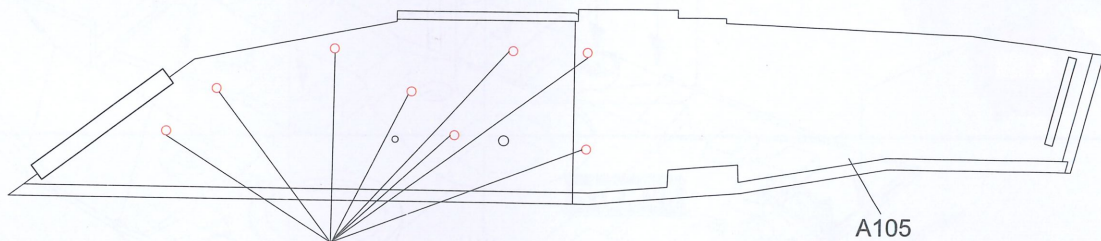
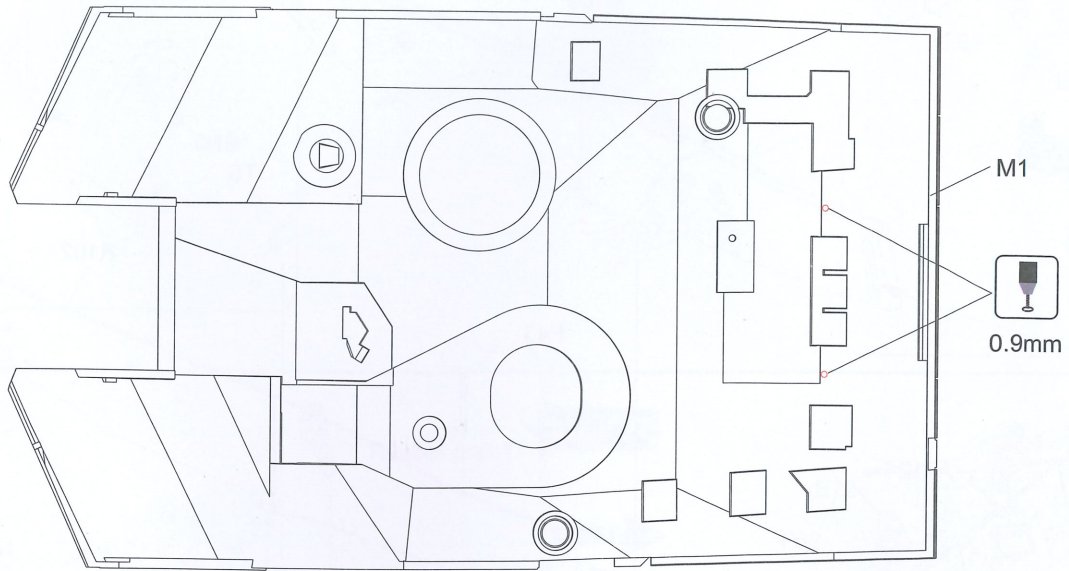
**STEP 21**



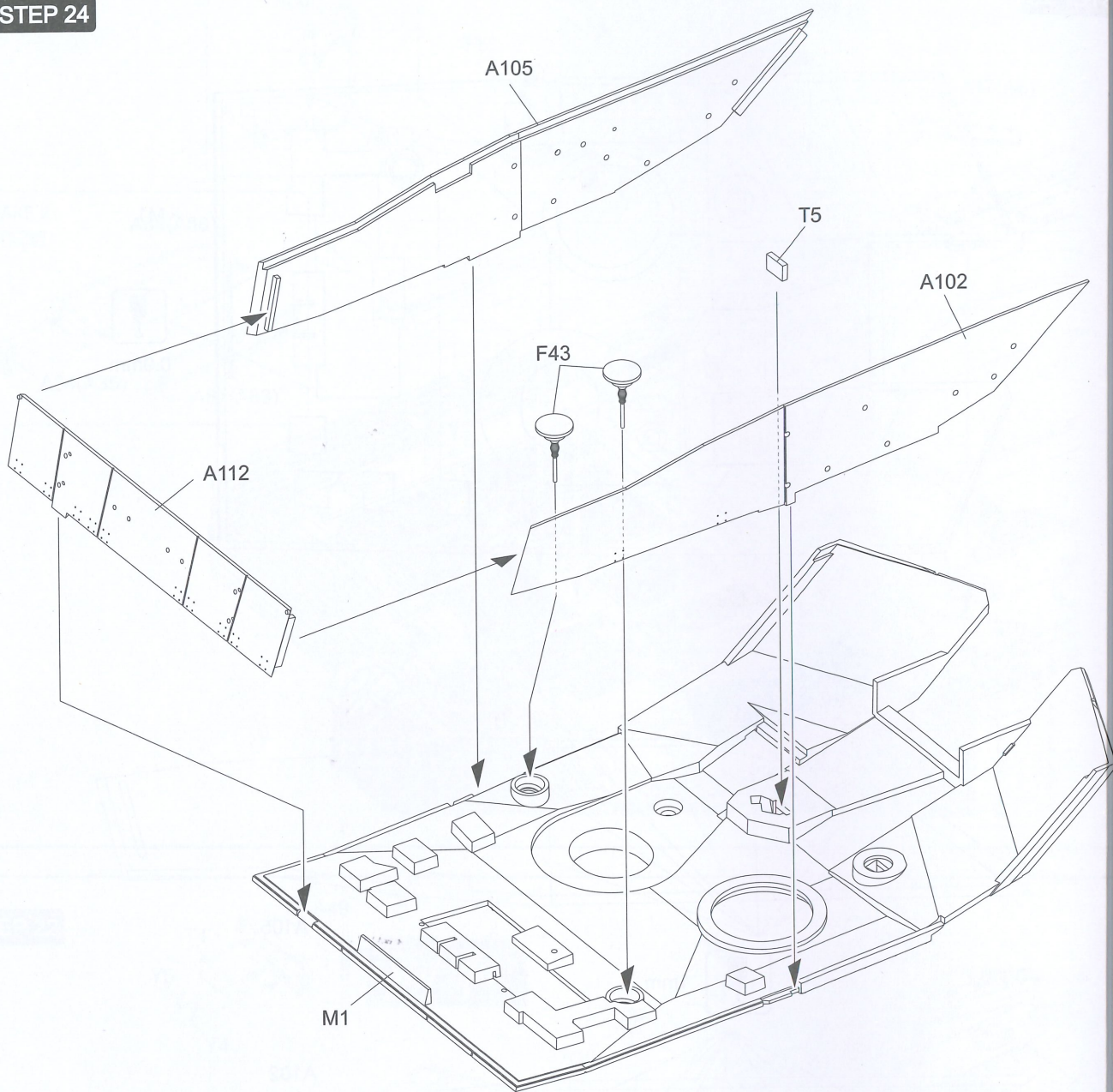
**STEP 22**



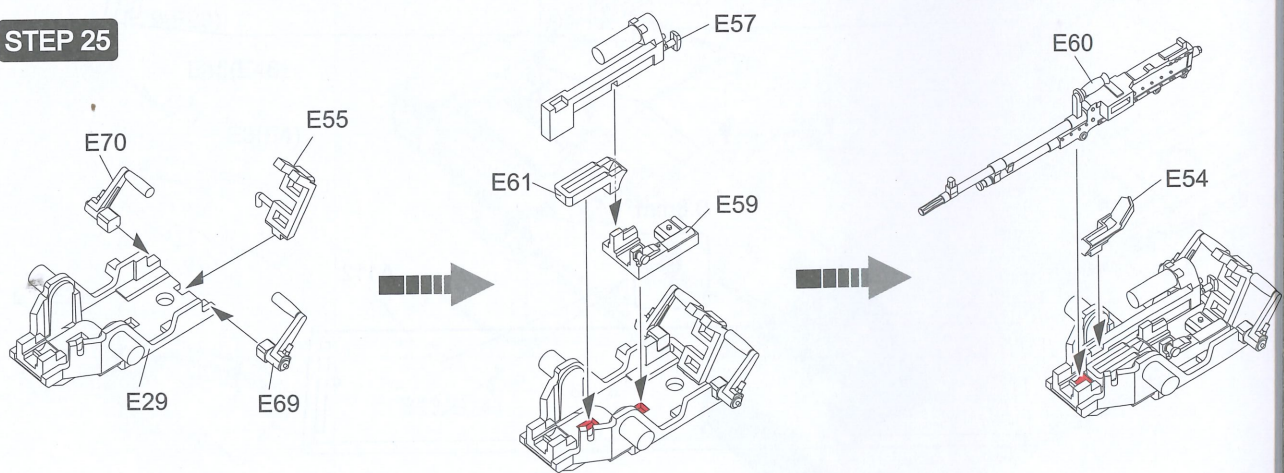
STEP 23



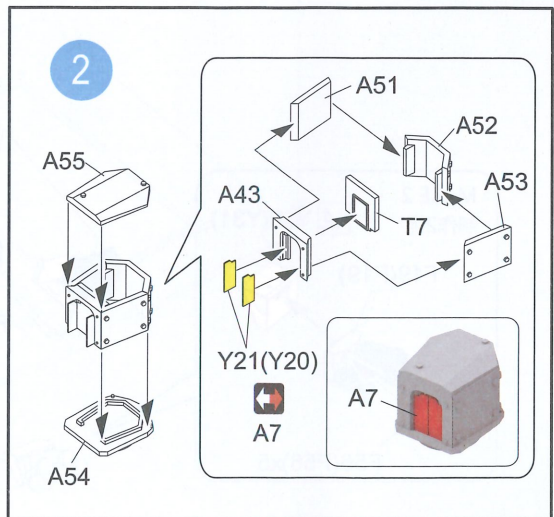
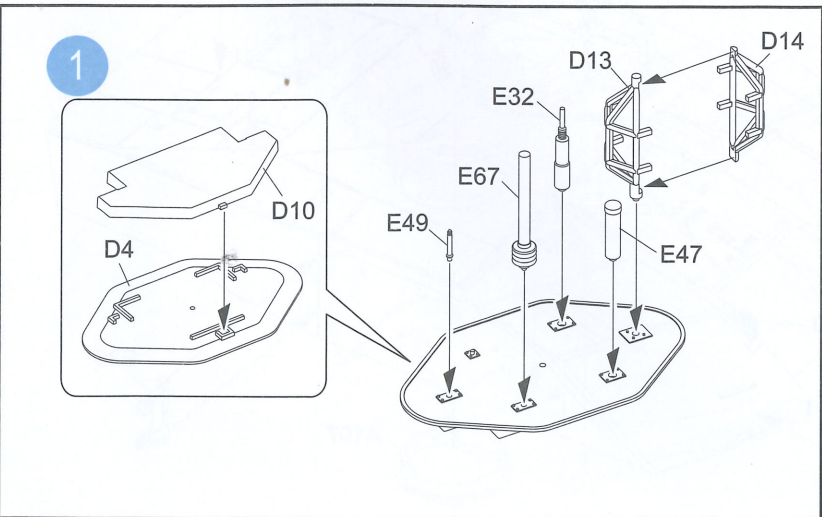
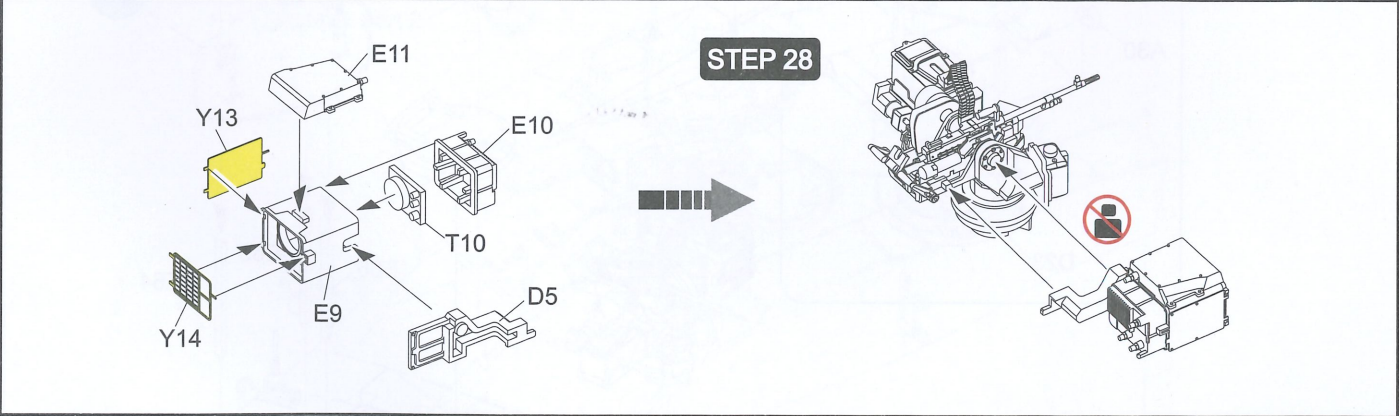
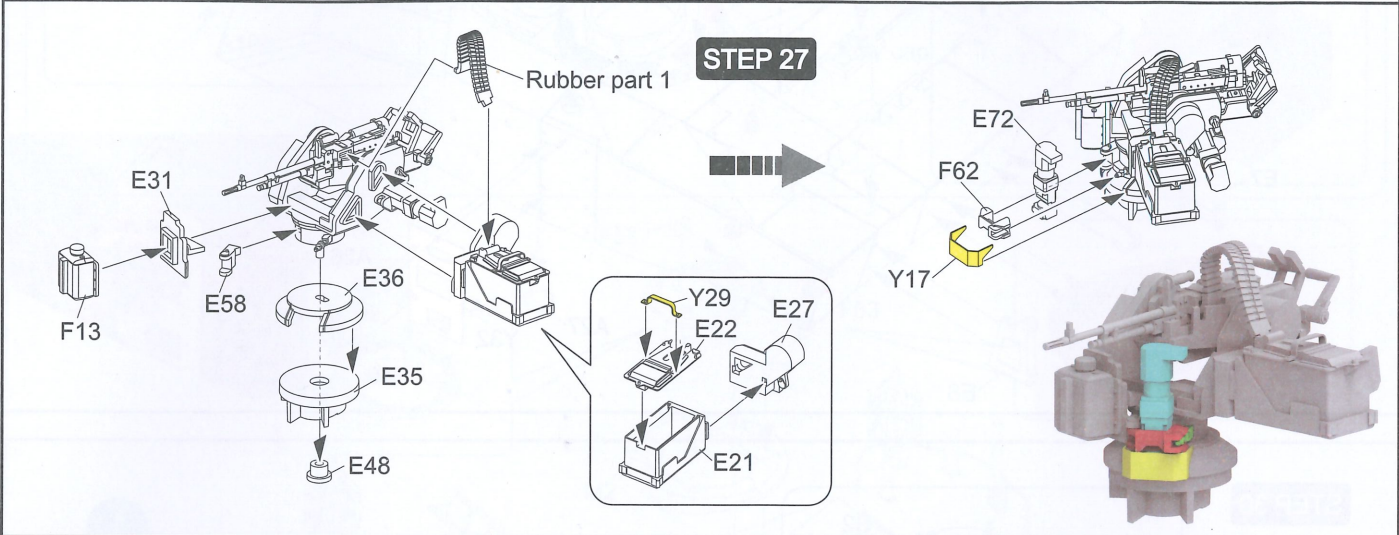
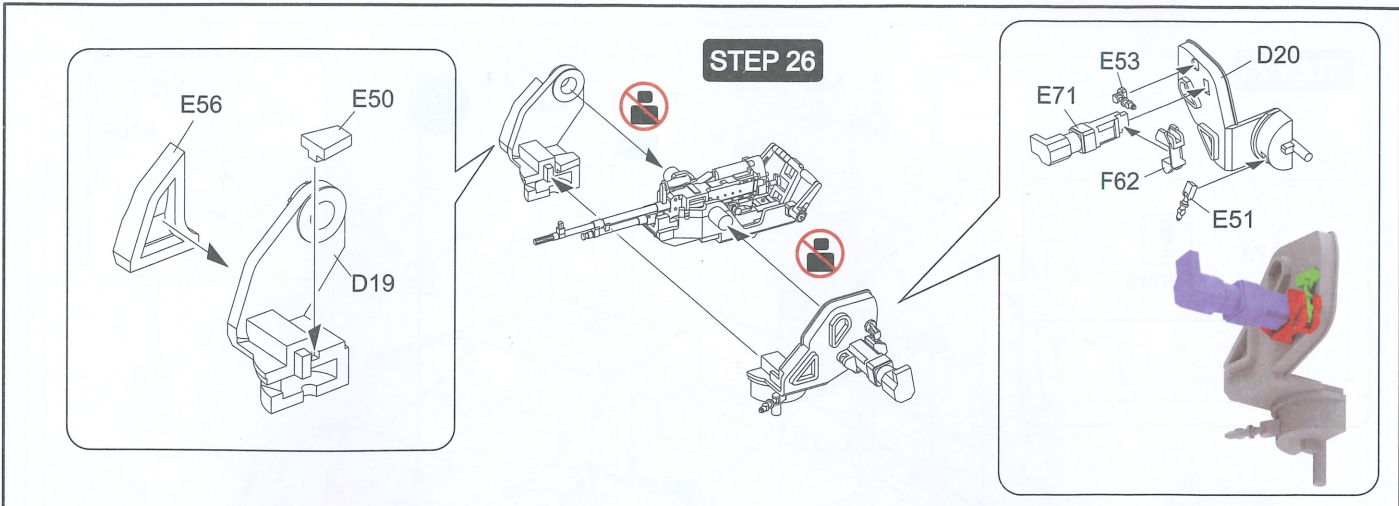
**STEP 24**



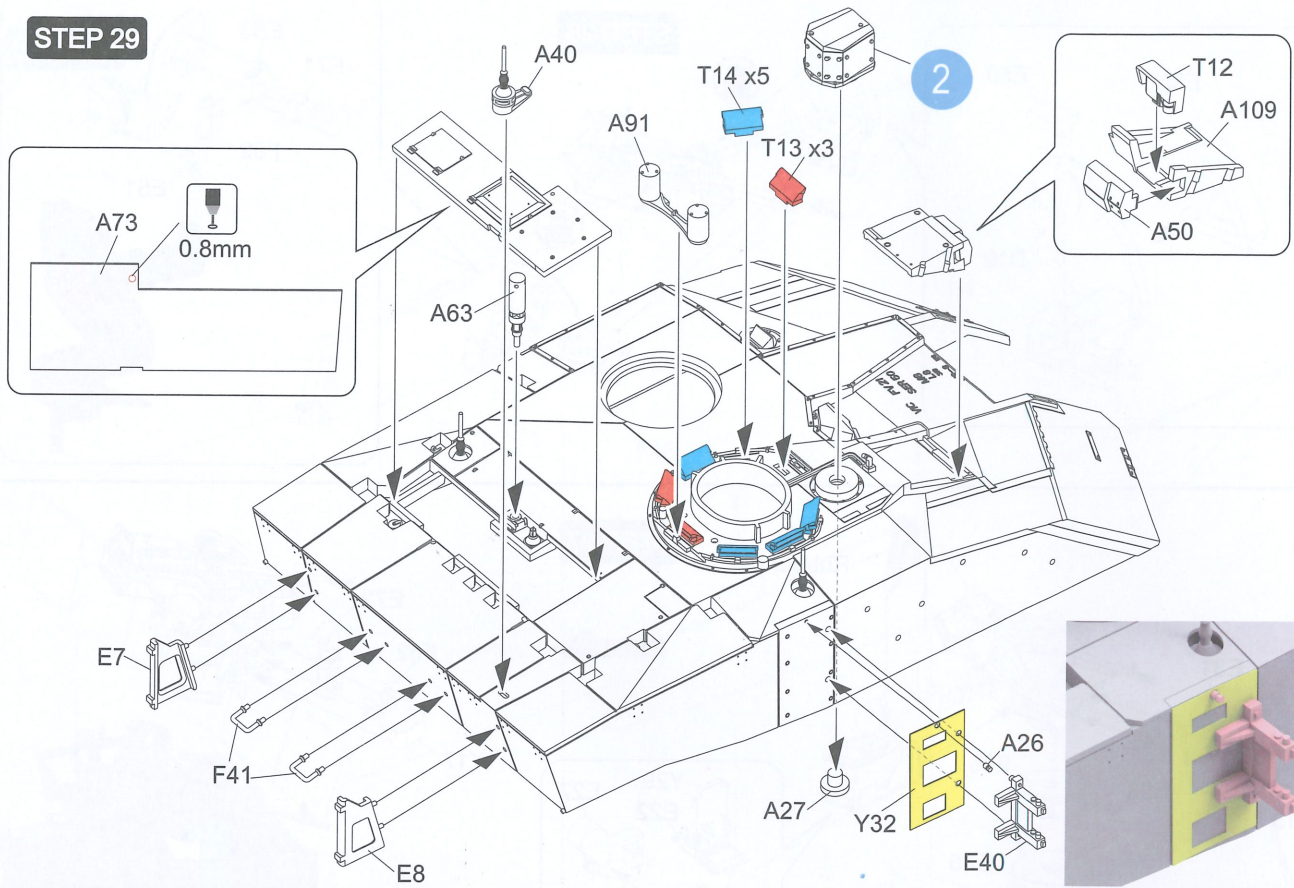
**STEP 25**



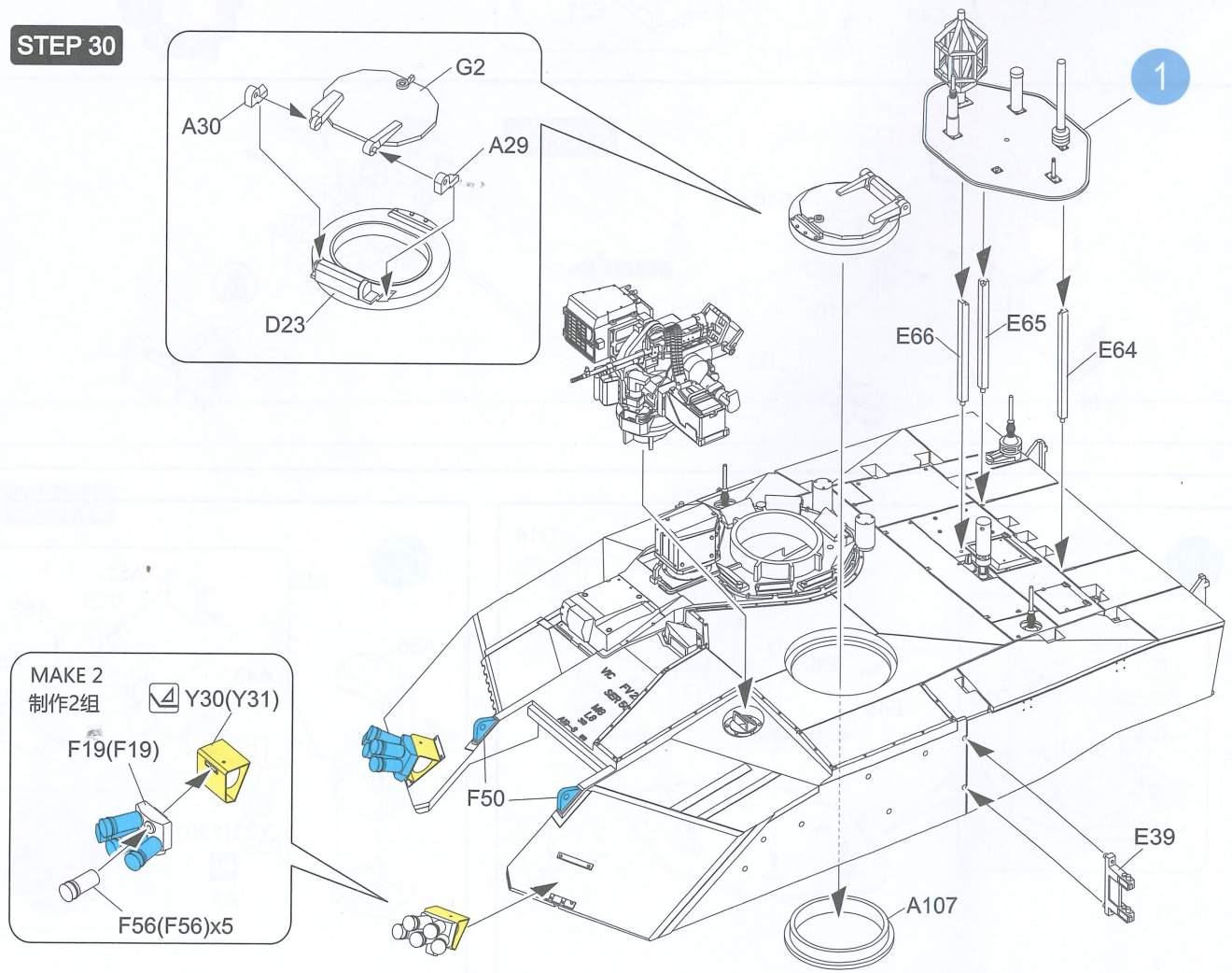


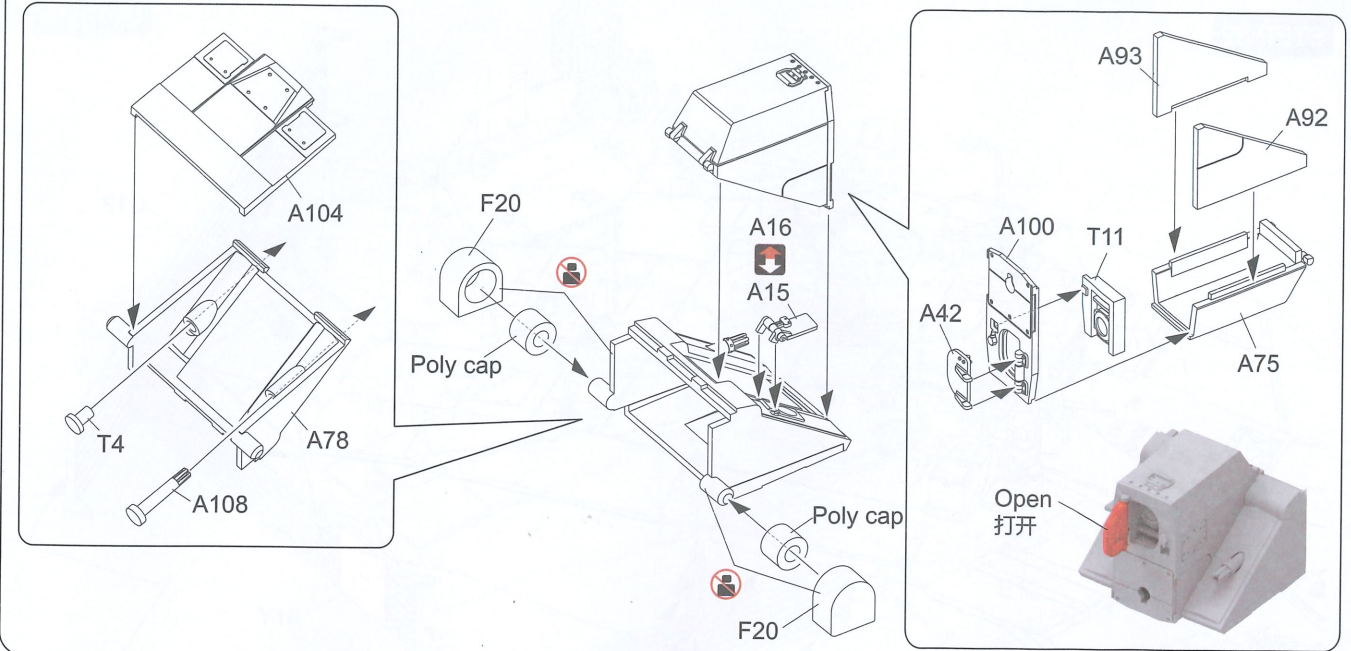


**STEP 29**

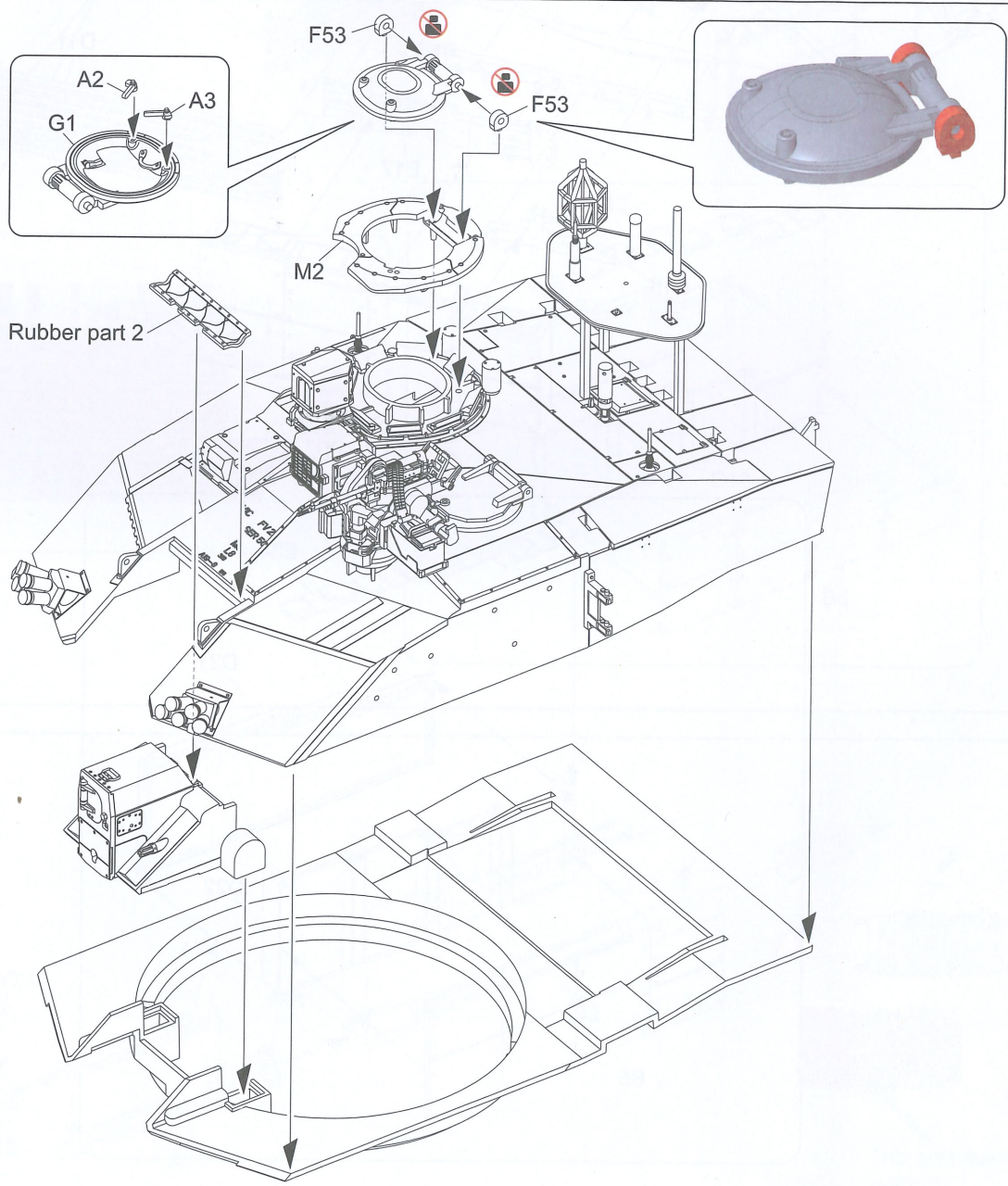


**STEP 30**

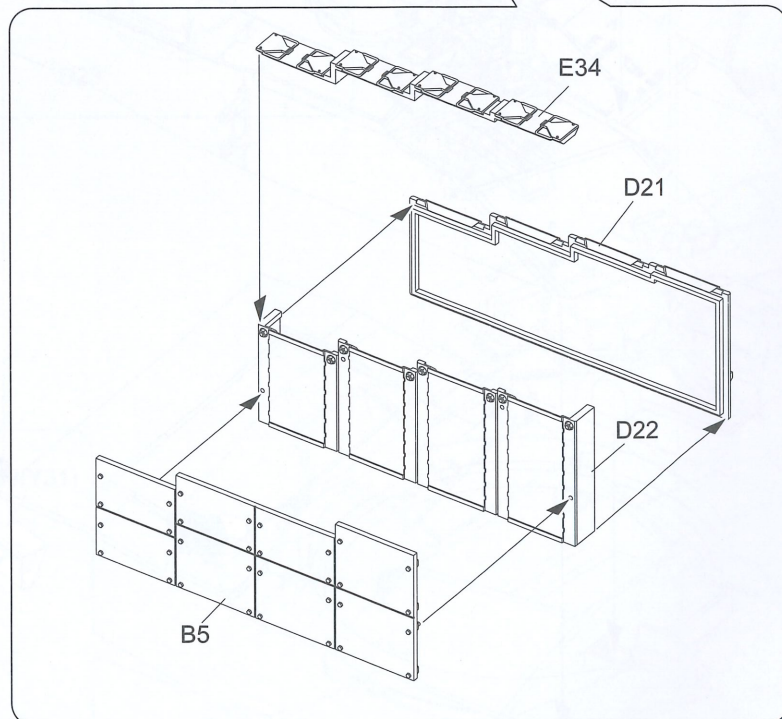
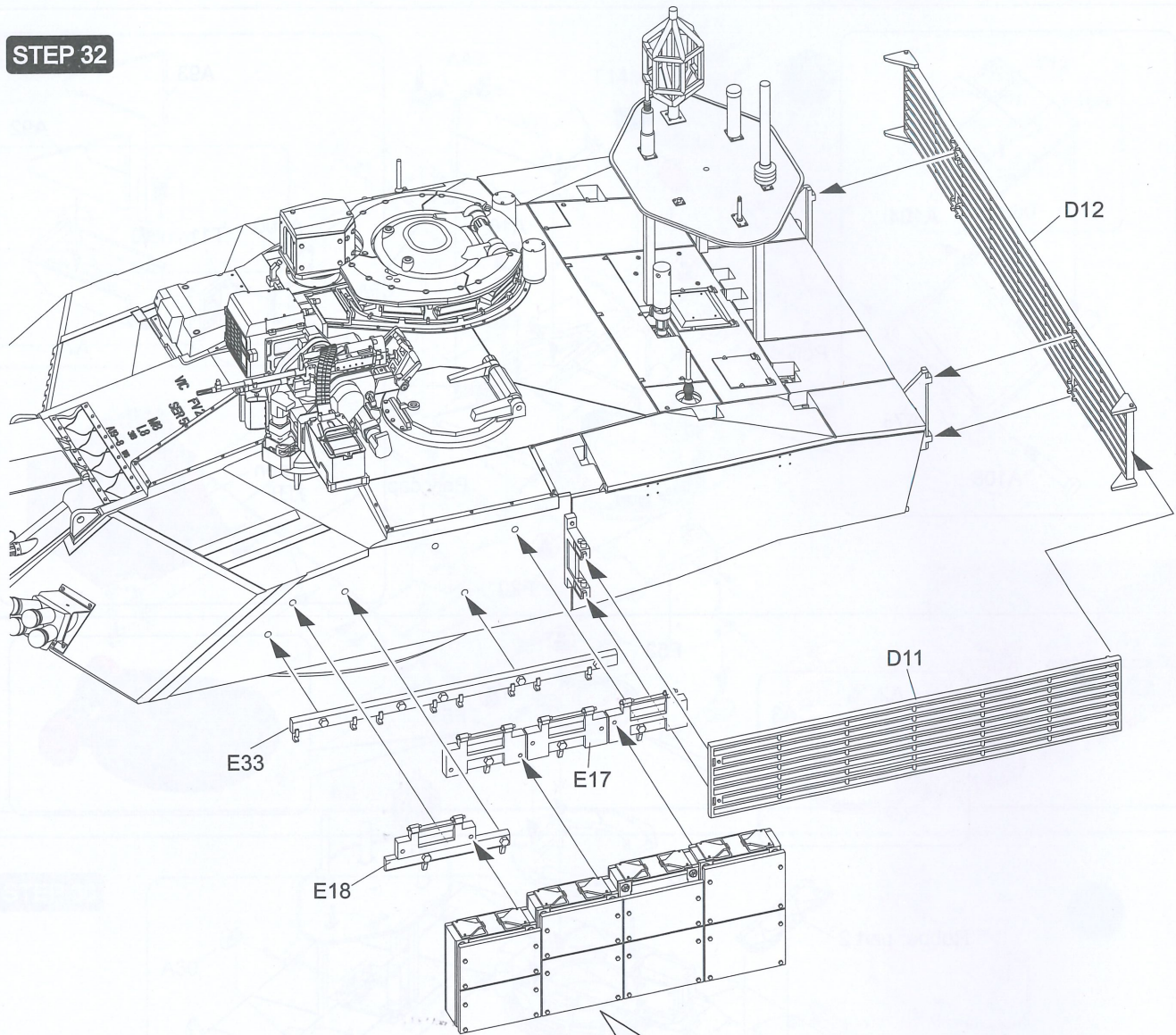




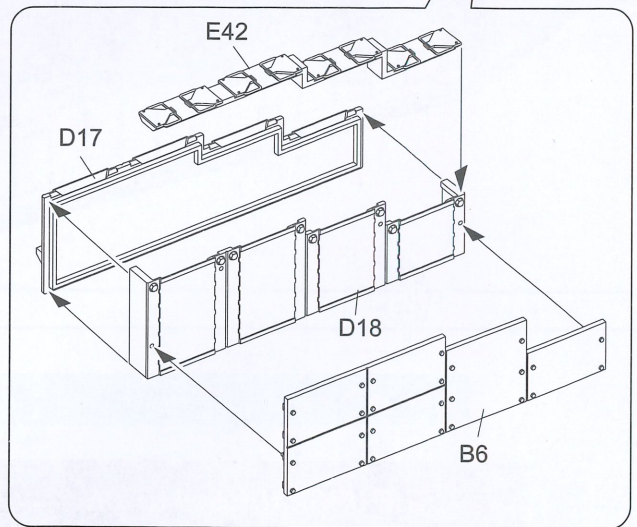
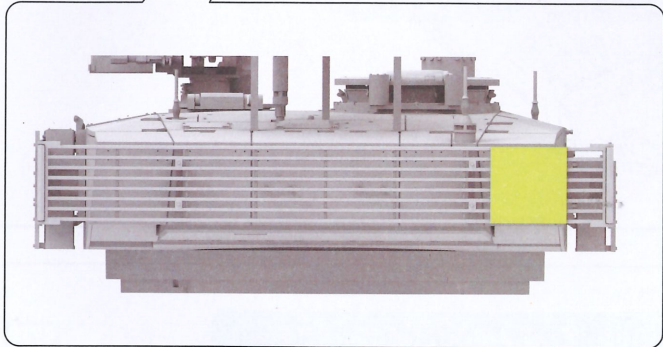
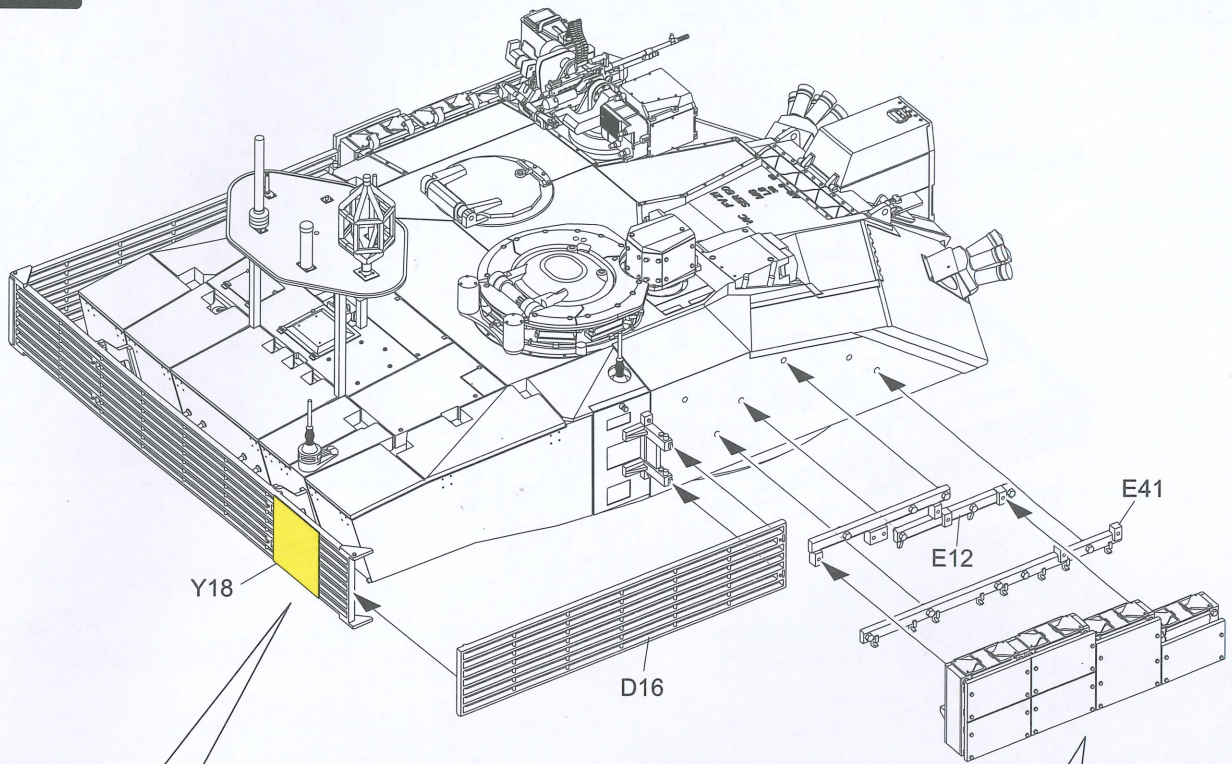
**STEP 31**



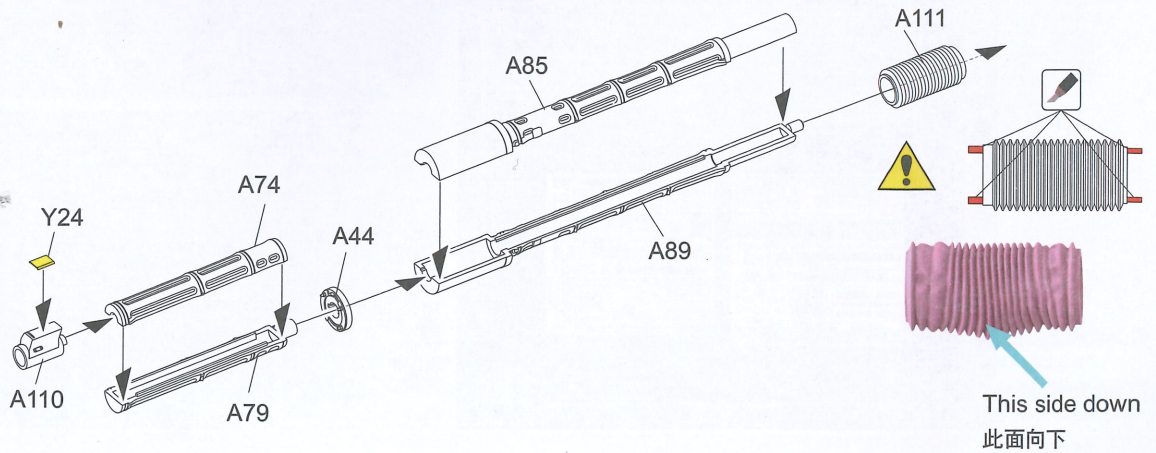
STEP 32



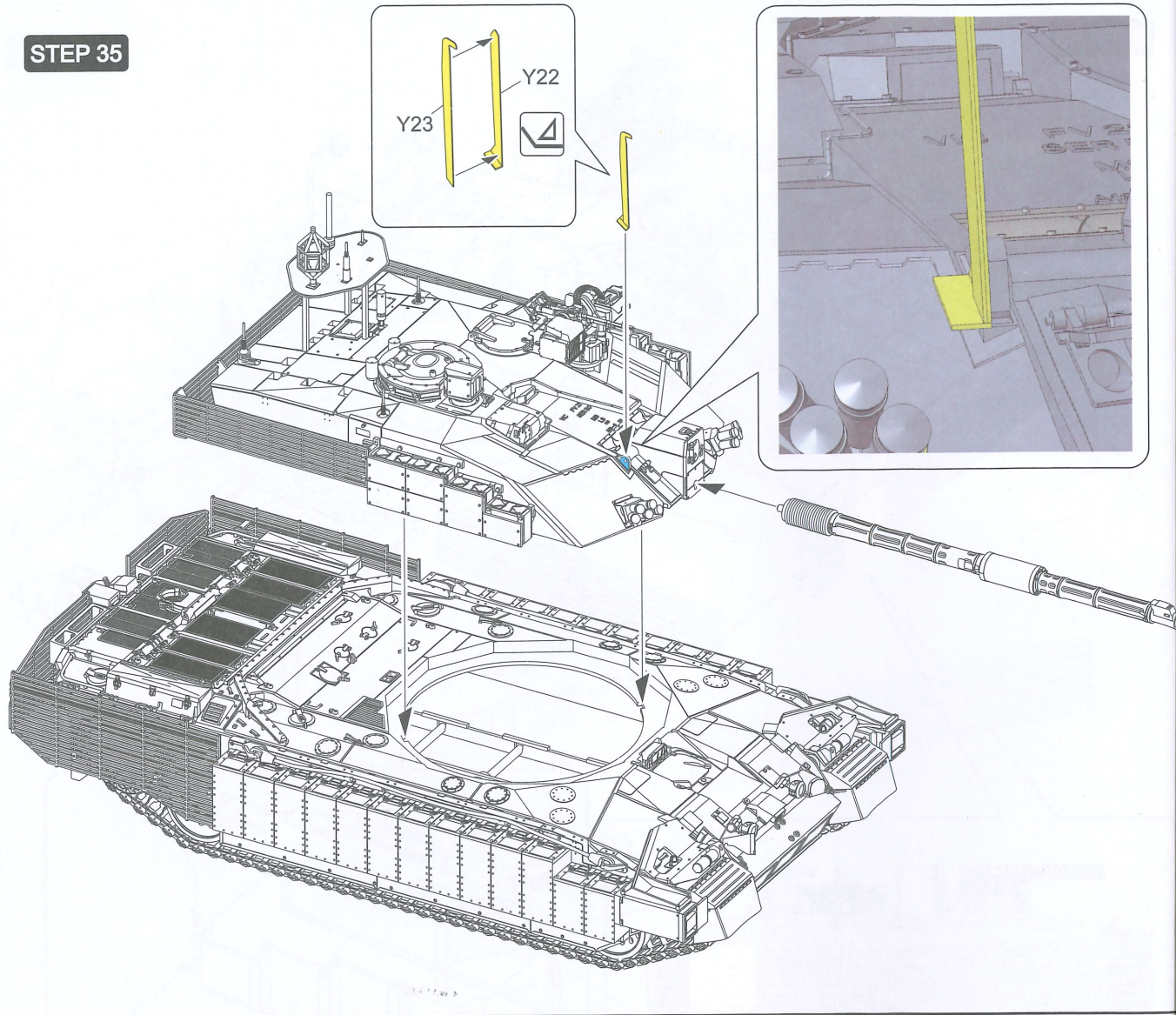
**STEP 33**



**STEP 34**



**STEP 35**

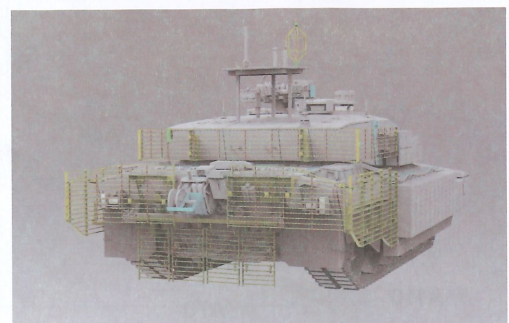
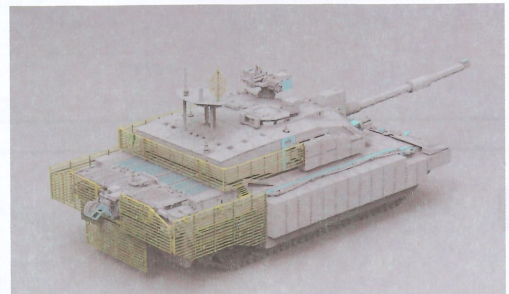


Recommended item: RM-2001 The upgrade solution for this kit.

**THE UPGRADE SOLUTION**  
British main battle tank Challenger 2 TES  
英国“挑战者”2主战坦克 栅栏装甲升级改造件  
FOR RYEFIELD RM-5039

**RFM**  
RYEFIELD MODEL

1/35 SCALE  
2001



# CHALLENGER 2 TES

LATE PRODUCTION

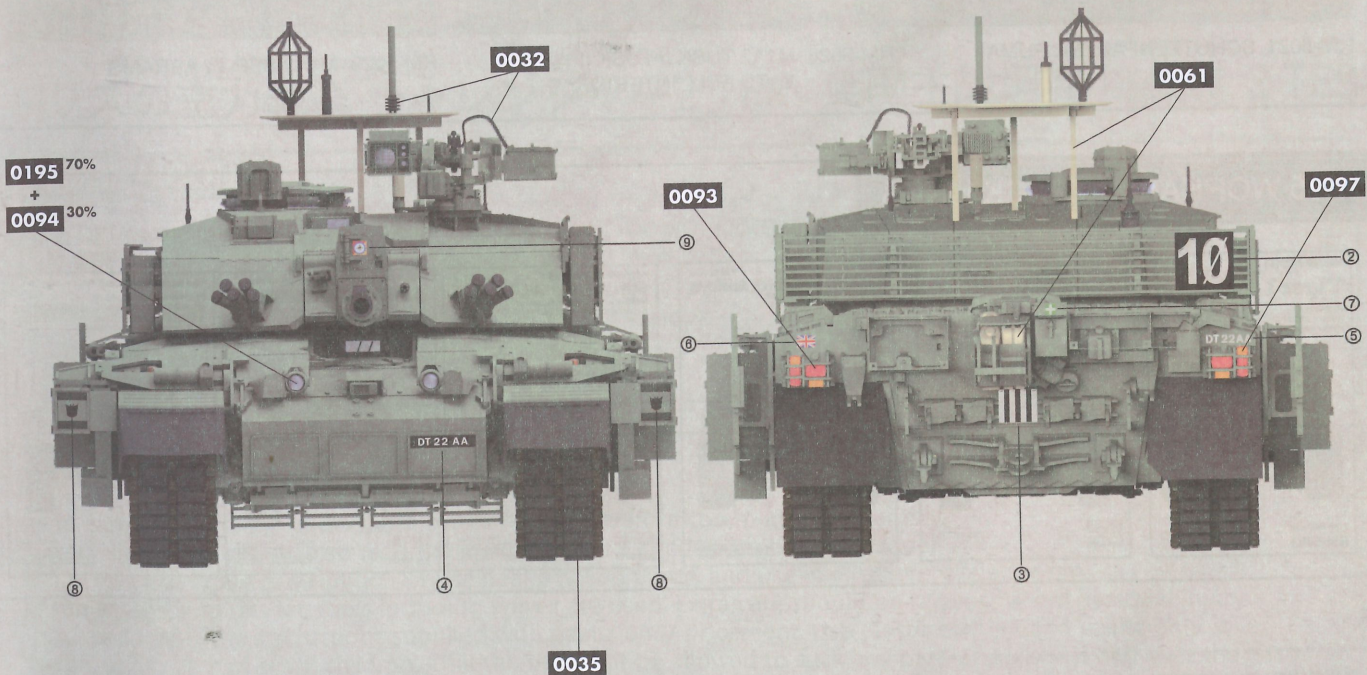
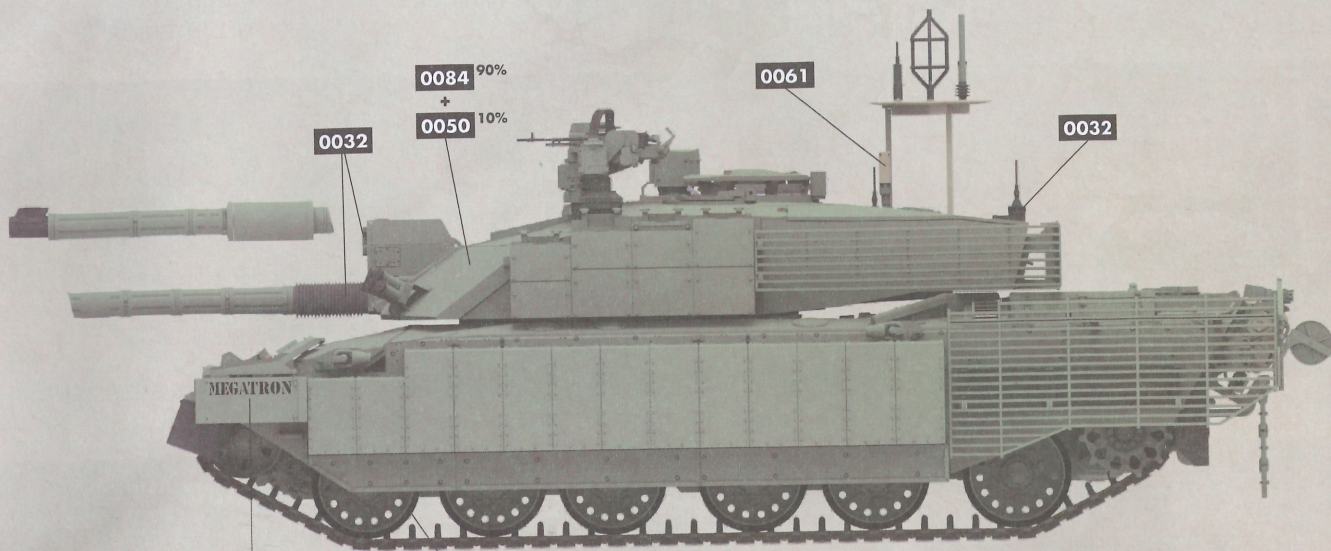
Painting and Marking Guide

www.migjimenez.com



by MIG Jimenez

A.MIG-0084 NATO Green	A.MIG-0050 Matt White	A.MIG-0061 Warm Sand Yellow	A.MIG-0035 Dark Tracks
A.MIG-0033 Rubber & Tires	A.MIG-0032 Satin Black	A.MIG-0195 Silver	A.MIG-0094 Crystal Glass
A.MIG-0093 Crystal Red	A.MIG-0097 Crystal Orange		



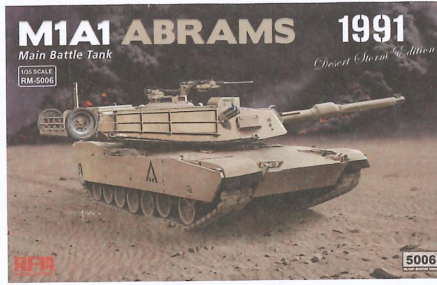
**WEATHERING STEPS WITH AMMO PRODUCTS**

<b>1 GENERAL WASH</b> A.MIG-1005 Dark Brown Wash for Green Vehicles	<b>3 STREAKING</b> A.MIG-1203 Streaking Grime	<b>5 TRACKS WASH</b> A.MIG-1002 Tracks Wash	<b>7 MUD</b> A.MIG-1703 Moist Ground	<b>9 FUEL</b> A.MIG-1409 Fuel Stains
<b>2 FILTER</b> A.MIG-1508 Green for Grey Green	<b>4 RAINMARKS</b> A.MIG-1258 Streakingbrusher Dust	<b>6 DUST</b> A.MIG-3004 Europe Earth	<b>8 SPLASHES</b> A.MIG-1752 Loose Ground	<b>10 OIL</b> A.MIG-1408 Fresh Engine Oil

# 1:35 MODERN MILITARY MINIATURES



RM-5004 M1A1/ M1A2 TUSK



RM-5006 M1A1 ABRAMS GULF WAR 1991



RM-5007 M1A1/A2 ABRAMS WITH FULL INTERIOR



RM-5011 M1 ASSAULT BREACHER VEHICLE



RM-5013 T-34/122 EGYPTIAN



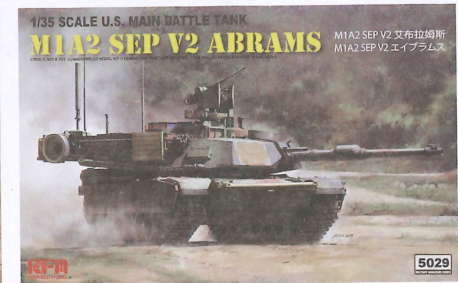
RM-5020 M551A1/ A1 TTS SHERIDAN



RM-5021 SCHÜTZENPANZER PUMA

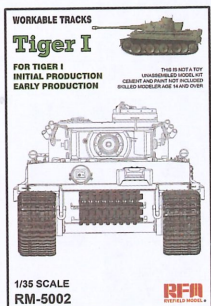


RM-5026 M1A2 TUSK I / TUSK II WITH FULL INTERIOR



RM-5029 M1A2 SEP V2 ABRAMS

# 1:35 WORKABLE TRACK LINKS



**RYEFIELD MODELS (HK) CO., LTD.**  
香港麦田模型玩具有限公司

Business / 业务与合作: [rfm@ryefield-model.com](mailto:rfm@ryefield-model.com)  
Support / 售后支持: [support@ryefield-model.com](mailto:support@ryefield-model.com)  
Website / 网站: [www.ryefield-model.com](http://www.ryefield-model.com)  
COPYRIGHT © 2018 ALL RIGHTS RESERVED



FACEBOOK



百度贴吧



微信公众号



新浪微博

**RFM**  
RYEFIELD MODEL®